



Beverage Master Parts List

Issued: March 9, 2012

Part 5 of 13: Carbonators & Components

CARBONATORS

The 43 and E2000 Series

Both series produce 100 gallons/hour. Carbonators have brass water pumps with integral strainers, stainless steel bases with rubber feet for sound insulation, right angle probe service cords, heat sink probe caps, and no external electronic components. Specifications: 1/4" MF CO₂ inlet, 3/8" MF water inlet and 3/8" MF soda water outlet(s). Five year warranty.

The two-piece probe assembly is easy to test: simply remove the probe electronics and pass the tip of a magnetic screwdriver past the lower end of the tube extending from the electronics package. If the reed switch closes, it's operating properly.

Item	Description	Tank Capacity	Soda Outlets	Vented Check Valve	Electrical	Motor	Amps	Shipping Weight
43-5102	Carbonator standard ASSE 1022 220v McCann's	32 oz	1	Yes	220/50/60	1/4 HP	2.4	25 lbs
43-5502	Carbonator-in-a-box 115v McCann's	32 oz	1	Yes	115/60/1	1/3 HP	7.0	29 lbs
43-5602	Carbonator-in-a-box 220v McCann's	32 oz	1	No	220/50/60	1/4 HP	2.4	29 lbs
43-6002	Carbonator standard ASSE 1022 115v McCann's	32 oz	1	Yes	115/60/1	1/3	7.0	25 lbs
E200393	Carbonator big mac ASSE 1022 220v McCann's	2 gal	2	Yes	220/50/60	1/4 HP	2.4	28 lbs
E201397-MBE	Cold carbonation retrofit	2 gal	2	Yes	115/60/1	1/3 HP	7.0	38 lbs
E202397	Carbonation system recirculating cold ASSE 1022 McCann's	2 gal	2	Yes	115/60/1	1/3 HP	7.0	53 lbs.
E400397	Carbonator Big Mac ASSE 1022 115v McCann's	2 gal	2	Yes	115/60/1	1/3 HP	7.0	28 lbs

43 Series Small Carbonator with 1022 Backflow Preventer



9" W x 11 1/2" D x 11" H

E202397 Re-circulating Cold Carb System



25" W x 18" D x 15" H

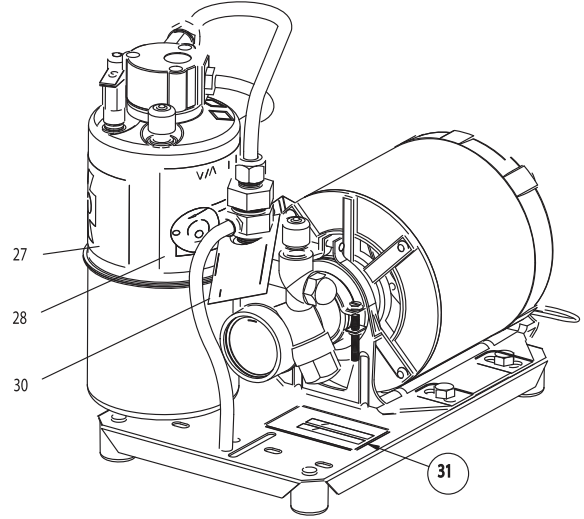
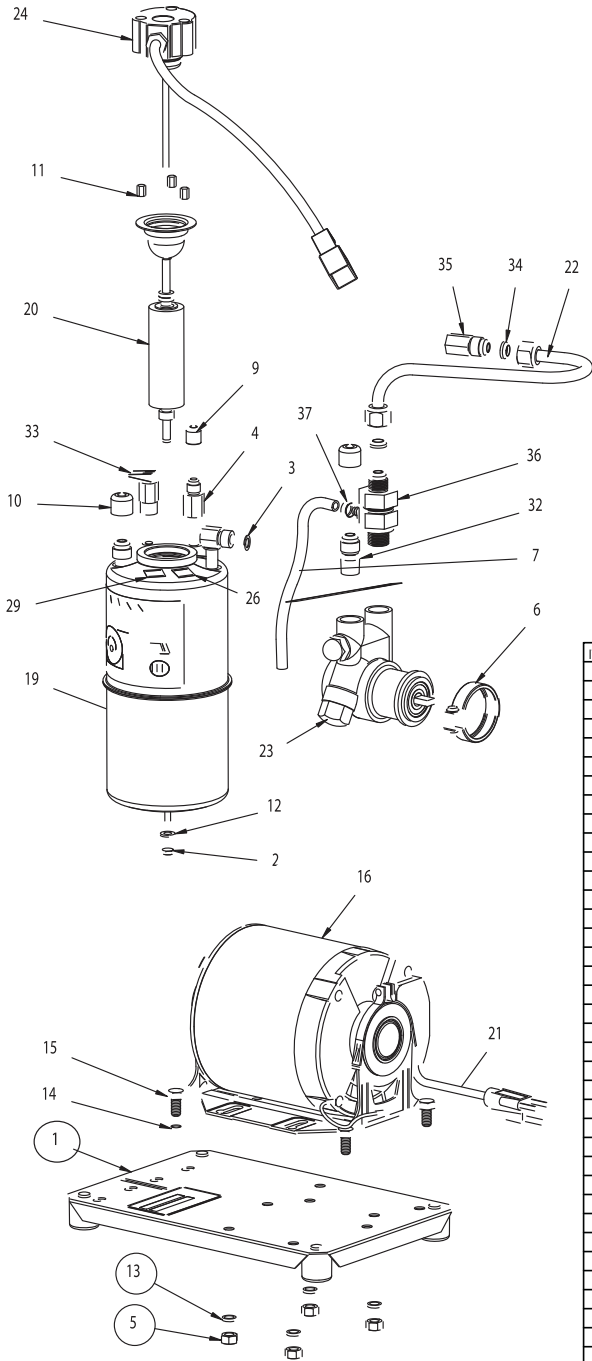
Big Mac Carbonator with ASSE 1022 Backflow Preventer



13 1/2" W x 12 3/4" D x 10 1/2" H

CARBONATORS

43-5102 Exploded View Drawing



ITEM NO.	QTY.	PART NO.	DESCRIPTION
1	1	E133592-004	BASE, CARBONATOR W/ 4 FEET
2	1	00-0424	NUT, HEX, 10-32, ZINC PLATED
3	1	00-0859	WASHER, FLAT, PLASTIC, CHECK VALVE
4	1	00-0868	CHECK VALVE, CARBONATOR, SINGLE, 1/4 MALE FLARE
5	4	00-1077	NUT, HEX, 5/16-18, ZINC PLATED
6	1	00-1222	CLAMP, V-BAND, CARBONATOR
7	1	01-1649	TUBING, 1/4 I.D., 3/8 O.D., CUT 12" LONG
8	1	07-0176	CARTON, CARBONATOR, SMALL (NOT SHOWN)
9	1	10-1877	PLUG, CAP, VC-375-8, BLACK
10	2	10-2006	CAP PLUG, VC-600-8, BLACK, VINYL
11	3	09-1877	STUD, PROBE
12	1	10-0257	WASHER, LOCK, # 1/4, SPLIT, SS
13	4	10-0258	WASHER, LOCK, 5/16, SPLIT, ZINC PLATED
14	2	10-0290	WASHER, LOCK, 5/16, EXTERNAL TOOTH, ZINC PLATED
15	4	10-0555	BOLT, 5/16 X 5/8 HEX HEAD
16	1	10-0601	MOTOR, 230V
17	1	10-1181	WIRE TIE, TWISTER, 5" LONG (NOT SHOWN)
18	A/R	10-1651	ADHESIVE, LOCTITE, 565 (NOT SHOWN)
19	1	15-1197	ASSY., CARB., WELD, TOP & BOTTOM, SMALL TANK, 3/8 MF W/ STUD
20	1	15-1951	ASSY., 115/220V, PROBE, FLOAT RING
21	1	15-2088	ASSY., CARB POWER CORDS
22	1	15-3018	ASSY., TUBING WATER INLET
23	1	16-0148	PUMP, BRASS, ROTARY VANE, PROCON
24	1	16-2220-41	ASSY., PROBE, 115V ELECTRICAL, BLACK CAP
25	1	17-0327	INSTRUCTIONS, INSTALLATION, CARBONATOR (NOT SHOWN)
26	1	17-0386	INSTRUCTIONS, INSTALLATION, PROBE, TWO PIECE (NOT SHOWN)
27	1	17-0486	ANDERSON BRASS, ABF-1, 1022, APPROVAL CERTIFICATION (NOT SHOWN)
28	1	17-0491	SERVICE BULLETIN (NOT SHOWN)
29	1	18-1075	DECAL, INSPECTION STICKER (11 THRU 25)
30	1	18-1339	DECAL, CARBONATOR TANK, CO2
31	1	18-1345	DECAL, SMALL CARBONATOR
32	1	18-1368	DECAL, TEST STICKER
33	1	18-1580	LABEL, MODEL/SERIAL NUMBER, CARBONATOR, 43-5000
34	1	19-0028	FITTING, 3/8 MALE FLARE X 3/8 MALE PIPE THREAD, BRASS
35	1	19-0031	VALVE ASSY., PRESSURE RELIEF, CARB. TANK, 180 PSI, RED HANDLE
36	2	19-0268	GASKET, FLARE, 3/8, SAE
37	1	19-0760	FITTING, ADAPTER, WATER INLET TUBE, CARB.
38	1	19-0897	ASSE 1022, BACKFLOW PREVENTER
39	1	10.5-505R	CLAMP STEPLESS SS

In the interest of continued product improvement, we reserve the right to change specifications without notice
3178G ©Manitowoc Beverage Systems 2012 3/12

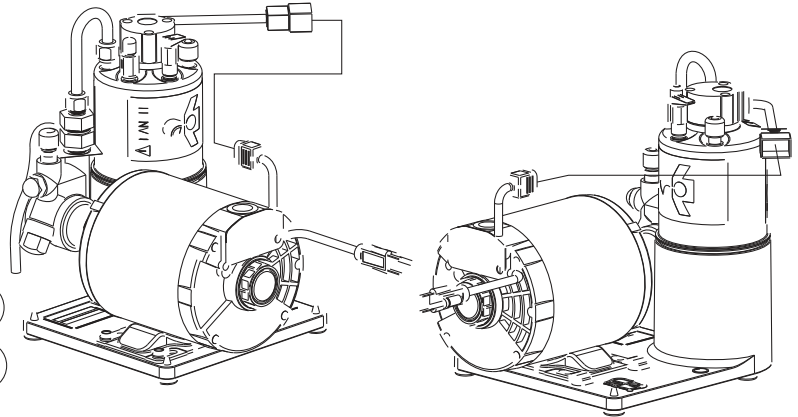
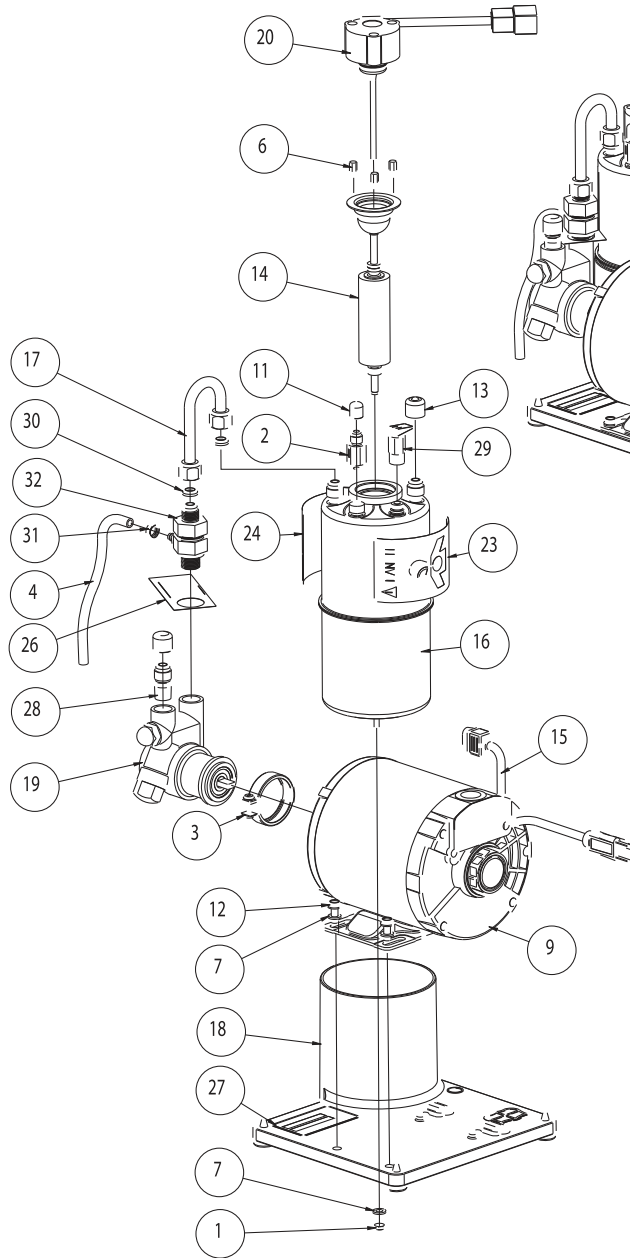
Toll Free: 1.800.334.4875
Fax: 1.800.572.0881

www.manitowocbeverage.com/us



CARBONATORS

43-6002 Exploded View Drawing



ITEM NO.	QTY.	PART NO.	DESCRIPTION
1	1	00-0424	NUT, HEX, 10-32, ZINC PLATED
2	1	00-0868	CHECK VALVE, CARBONATOR, SINGLE, 1/4 MALE FLARE
3	1	00-1222	CLAMP, V-BAND, CARBONATOR
4	1	01-1649	HOSE, PVC, 1/4 I.D. X 3/8 O.D., CUT 12"
5	1	07-0344	CARTON, CARBONATOR, SMALL (NOT SHOWN)
6	3	09-1877	STUD, PROBE
7	1	10-0251	WASHER, LOCK, #10, EXT. TOOTH
8	2	10-0297	WASHER, LOCK, # 1/4, EXTERNAL TOOTH, ZINC PLATED
9	1	10-1181	WIRE TIE, TWISTER, 5" LONG (NOT SHOWN)
10	1	10-1649	MOTOR, 115V, 1/3 HP
11	A/R	10-1651	ADHESIVE, LOCTITE, 565 (NOT SHOWN)
12	1	10-1877	PLUG, CAP, VC-375-8, BLACK
13	2	10-1938	1/4-20 X 5/8, SCREW, HEX HEAD, PHILLIPS
14	2	10-2006	CAP PLUG, VC-600-8, BLACK, VINYL
15	1	15-1951	ASSY., 115/220V, PROBE, FLOAT RING
16	1	15-2088	ASSY., CARB., POWER CORDS, 18-3/8 FT.
17	1	15-3092	ASSY., CARB., WELD, TOP & BOTTOM, SMALL TANK, 3/8 MF W/ STUD
18	1	15-3093	ASSY., TUBING, WATER INLET FOR 43-5002
19	1	15-3153	ASSY., CARBONATOR BASE W/ INSERT & FEET
20	1	16-0148	PUMP, BRASS, ROTARY VANE, 100 GPH
21	1	16-2115-41	ASSY, PROBE, 115V ELECTRICAL, BLACK CAP
22	1	17-0500	INSTRUCTION, INSTALLATION, CARBONATOR & PROBE (NOT SHOWN)
23	1	18-1075	DECAL, INSPECTION STICKER (11 THRU 25)
24	1	18-1339	DECAL, CARBONATOR TANK, CO2
25	1	18-1345	DECAL, SMALL CARBONATOR
26	1	18-1368	DECAL, TEST STICKER
27	1	18-1630	LABEL, MODEL/SERIAL NUMBER, CARBONATOR, 43-6002
28	1	19-0028	FITTING, 3/8 MALE FLARE X 3/8 MALE PIPE THREAD, BRASS
29	1	19-0031	VALVE ASSY, PRESSURE RELIEF, CARB. TANK, 180 PSI, RED HANDLE
30	2	19-0268	GASKET, FLARE, 3/8, SAE
31	1	10.5-505R	CLAMP STEPLESS SS
32	1	19-0897	ASSE 1022, BACKFLOW PREVENTER

In the interest of continued product improvement, we reserve the right to change specifications without notice
3178G ©Manitowoc Beverage Systems 2012 3/12

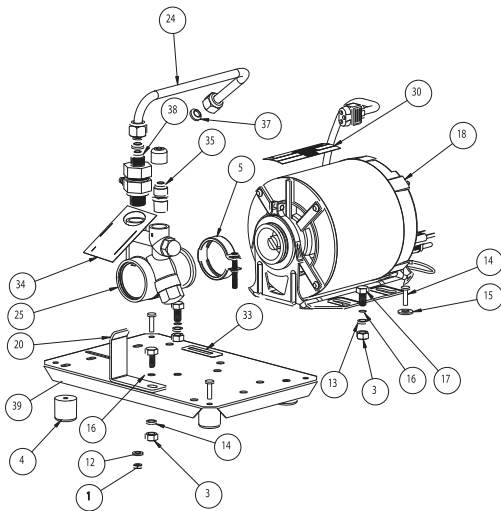
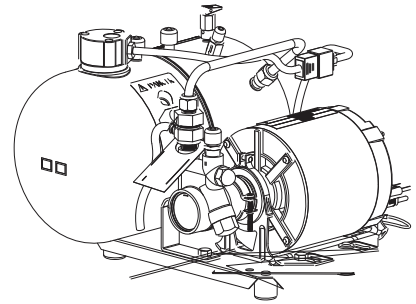
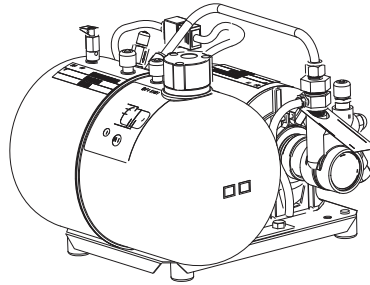
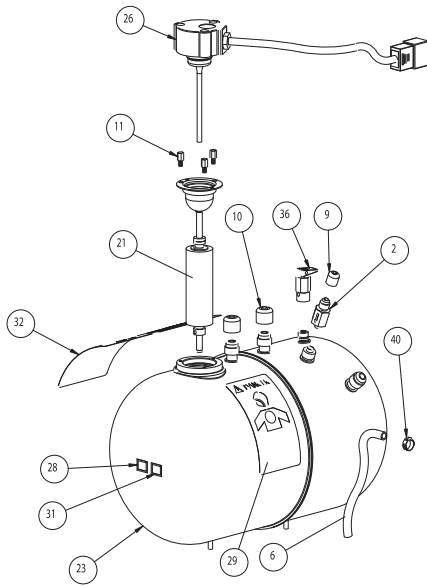
Toll Free: 1.800.334.4875
Fax: 1.800.572.0881

www.manitowocbeverage.com/us

Manitowoc
Beverage Systems

CARBONATORS

E200393 Exploded View Drawing



ITEM NO.	QTY.	PART NO.	DESCRIPTION
1	1	00-0424	NUT, HEX, 10-32, ZINC PLATED
2	1	00-0868	CHECK VALVE, CARBONATOR, SINGLE, 1/4 MALE FLARE
3	4	00-1077	NUT, HEX, 5/16-18, ZINC PLATED
4	2	00-1217	FOOT
5	1	00-1222	CLAMP, V-BAND, CARBONATOR
6	1	01-1649	TUBING, PVC, 1/4 ID X 3/8 OD, CLEAR, CUT 12"
7	1	07-0179	CARTON, CARBONATOR, LARGE, BLACK (NOT SHOWN)
8	1	07-0247	CARTON INSERT FOR CARBONATOR, PALLET, 28 X 42, 200 LB. (NOT SHOWN)
9	1	07-0289	CARTON INSERT FOR COMBO CARBONATOR (NOT SHOWN)
10	1	10-1877	PLUG, CAP, VC-375-8, BLACK
11	3	10-2006	CAP PLUG, VC-600-8, BLACK, VINYL
12	3	09-1877	STUD, PROBE
13	1	10-0257	WASHER, LOCK, # 1/4, SPLIT, SS
14	4	10-0258	WASHER, LOCK, 5/16, SPLIT, ZINC PLATED
15	1	10-0528	SCREW, 10-32 X 3/4, PAN, PHILLIPS
16	1	10-0281	WASHER, FLAT, ZINC PLATED, .344 I.D.
17	4	10-0290	WASHER, LOCK, 5/16, EXT. TOOTH, ZINC PLATED
18	4	10-0555	BOLT, 5/16 X 5/8, HEX HEAD
19	1	10-0601	MOTOR, AO SMITH, 230V
20	A/R	10-1651	ADHESIVE, LOCKTITE, 565 (NOT SHOWN)
21	1	14-5264	TANK SUPPORT
22	1	15-1951	ASSY., 115/220V, PROBE, FLOAT RING
23	1	15-2088	ASSY., CARB., POWER CORDS, 18/3, 8 FT.
24	1	15-3095	ASSY., TANK, McCANN's CARBONATOR
25	1	15-3100	ASSY., CARBONATOR, WATER INLET & NUT, PLASTIC BASE
26	1	16-0148	PUMP, BRASS, ROTARY VANE, PROCON
27	1	16-2115-41	ASSY, PROBE, 115V ELECTRICAL, BLACK CAP
28	1	17-0327	INSTRUCTIONS, INSTALLATION, CARBONATOR (NOT SHOWN)
29	1	17-0386	INSTRUCTIONS, INSTALLATION, PROBE, TWO PIECE (NOT SHOWN)
30	1	17-0486	ANDERSON BRASS, ABF-1, 1022, APPROVAL CERTIFICATION (NOT SHOWN)
31	1	17-0491	SERVICE BULLETIN (NOT SHOWN)
32	1	18-1075	DECAL, INSPECTION STICKER (11 THRU 25)
33	1	18-1339	DECAL, CARBONATOR TANK, WARNING, CO2
34	2	18-1350	DECAL, COKE, IC, SERIAL NUMBER
35	1	18-1368	DECAL, TEST STICKER
36	1	18-1503	LABEL, CARBONATOR, LARGE
37	1	18-1515	LABEL, MODEL NUMBER, CARBONATOR, E200393
38	1	19-0028	FITTING, 3/8 MALE FLARE X 3/8 MALE PIPE THREAD, BRASS
39	1	19-0031	VALVE ASSY, PRESSURE RELIEF, CARB. TANK, 180 PSI, RED HANDLE
40	2	19-0268	GASKET, FLARE, 3/8, SAE
41	1	19-0897	ASSE 1022, BACKFLOW PREVENTER
42	1	E133592-002	BASE, CARBONATOR WITH 2 FEET
43	1	10.5-505R	CLAMP STEPLESS SS

In the interest of continued product improvement, we reserve the right to change specifications without notice
3178G ©Manitowoc Beverage Systems 2012 3/12

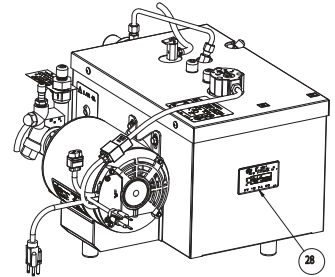
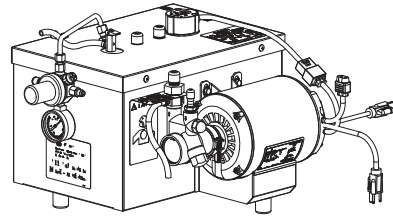
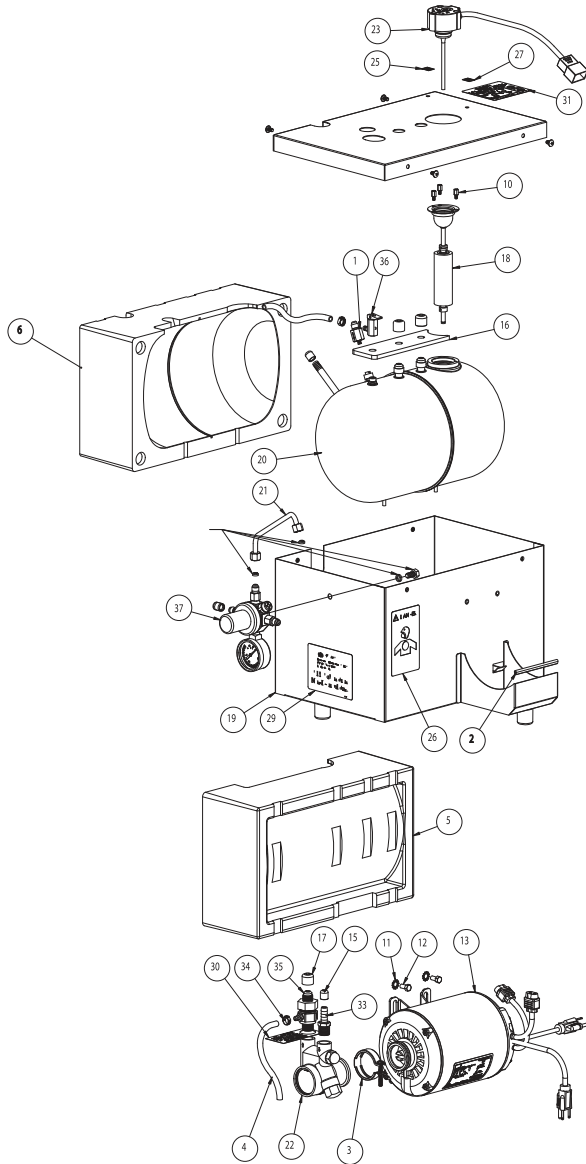
Toll Free: 1.800.334.4875
Fax: 1.800.572.0881

www.manitowocbeverage.com/us

Manitowoc
Beverage Systems

CARBONATORS

E201397 Exploded View Drawing



ITEM NO.	QTY.	PART NO.	DESCRIPTION
1	2	00-0424	NUT, HEX, 10-32, ZINC PLATED
2	1	00-0868	CHECK VALVE, CARBONATOR, SINGLE, 1/4 MALE FLARE
3	1	00-1222	CLAMP, V-BAND, CARBONATOR
4	1	01-1649	TUBING, PVC, 1/4 ID X 3/8 OD, CLEAR, CUT 12"
5	1	01-1893	CARBONATOR BASE
6	1	07-0247	CARTON INSERT FOR CARBONATOR, PALLET, 28 X 42, 200 LB. (NOT SHOWN)
7	1	07-0331	CARTON, CARBONATOR, 15-7/8 X 13-7/8 X 11-3/8
8	1	07-0332	CARTON INSERT FOR 07-0331, D/C TOP, 16-3/16 X 16-7/8 (NOT SHOWN)
9	1	07-0333	CARTON INSERT FOR 07-0331, BOTTOM, 27-3/4 X 15-7/8
10	3	09-1877	STUD, PROBE
11	2	10-0251	WASHER, LOCK, #10, EXT. TOOTH
12	2	10-0297	WASHER, LOCK, # 1/4, EXTERNAL TOOTH, ZINC PLATED
13	1	10-1649	MOTOR, 115V, 1/3 HP
14	A/R	10-1651	ADHESIVE, LOCTITE, 565 (NOT SHOWN)
15	1	10-1877	PLUG, CAP, VC-375-8, BLACK
16	2	10-1938	1/4-20 X 5/8, SCREW, HEX HEAD, PHILLIPS
17	4	10-2000	FOOT, RUBBER
18	2	10-2002	1/4-20 X .50, FLANGED, EXPANSION INSERT
19	3	10-2006	CAP PLUG, VC-600-8, BLACK, VINYL
20	1	15-1951	ASSY., 115/220V, PROBE, FLOAT RING
21	1	15-3095	ASSY., TANK, McCANN'S CARBONATOR
22	1	15-3100	ASSY., CARBONATOR, WATER INLET & NUT, PLASTIC BASE
23	1	16-0148	PUMP, BRASS, ROTARY VANE, PROCON
24	1	16-2115-41	ASSY, PROBE, 115V ELECTRICAL, BLACK CAP
25	1	17-0500	INSTRUCTION, INSTALLATION, CARBONATOR & PROBE (NOT SHOWN)
26	1	18-1075	DECAL, INSPECTION STICKER (11 THRU 25)
27	1	18-1339	DECAL, CARBONATOR TANK, WARNING, CO2
28	2	18-1350	DECAL, COKE, IC, SERIAL NUMBER
29	1	18-1368	DECAL, TEST STICKER
30	1	18-1503	LABEL, CARBONATOR, LARGE
31	1	18-1605	LABEL, MODEL, SERIAL NUMBER, CARBONATOR, E400397
32	1	19-0028	FITTING, 3/8 MALE FLARE X 3/8 MALE PIPE THREAD, BRASS
33	1	19-0031	VALVE ASSY, PRESSURE RELIEF, CARB. TANK, 180 PSI, RED HANDLE
34	2	19-0268	GASKET, FLARE, 3/8, SAE
35	1	10.5-505R	CLAMP STEPLESS SS
36	1	19-0897	ASSE 1022, BACKFLOW PREVENTER

In the interest of continued product improvement, we reserve the right to change specifications without notice
3178G ©Manitowoc Beverage Systems 2012 3/12

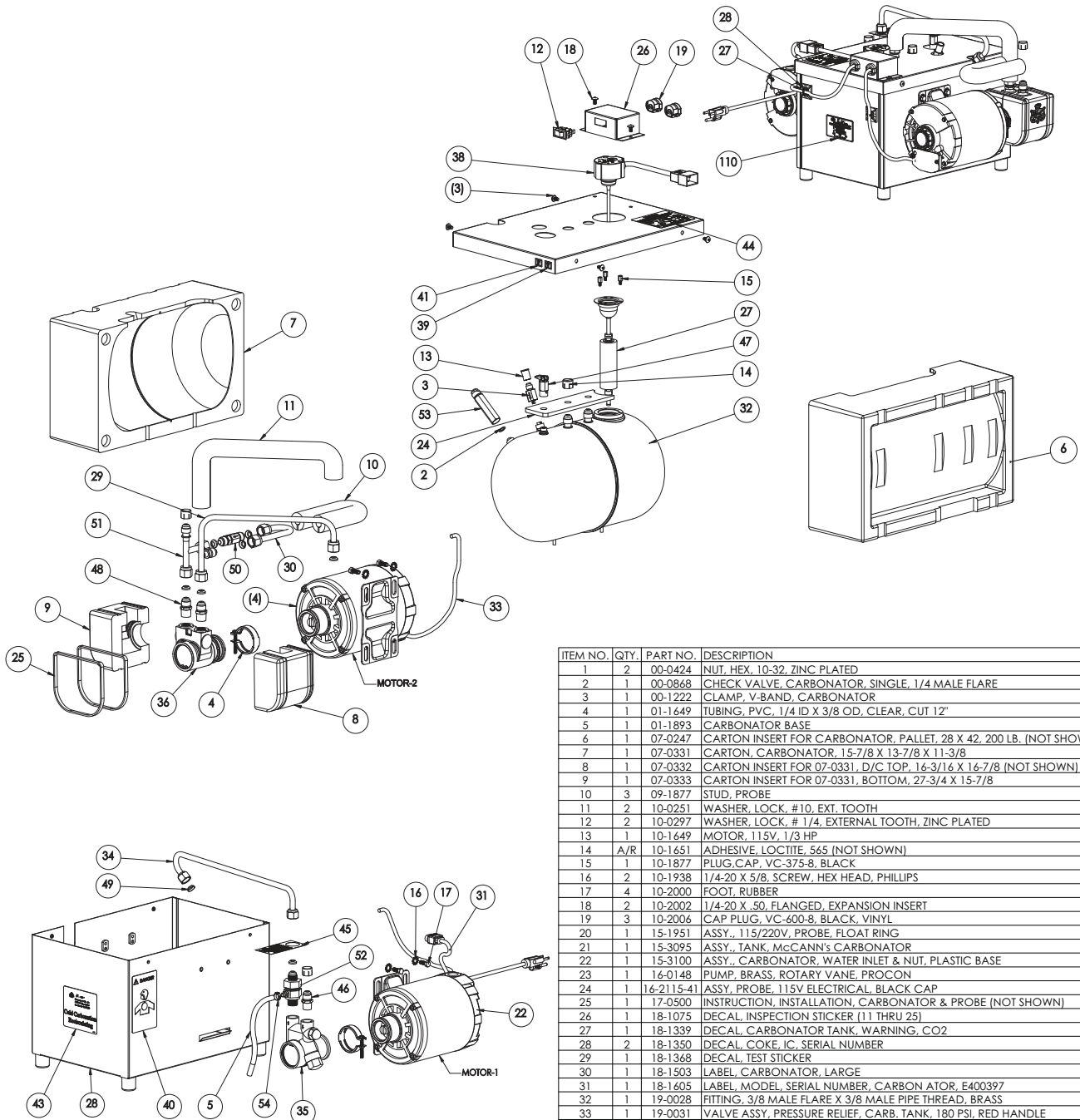
Toll Free: 1.800.334.4875
Fax: 1.800.572.0881

www.manitowocbeverage.com/us

Manitowoc
Beverage Systems

CARBONATORS

E202397 Exploded View Drawing



ITEM NO.	QTY.	PART NO.	DESCRIPTION
1	2	00-0424	NUT, HEX, 10-32, ZINC PLATED
2	1	00-0868	CHECK VALVE, CARBONATOR, SINGLE, 1/4 MALE FLARE
3	1	00-1222	CLAMP, V-BAND, CARBONATOR
4	1	01-1649	TUBING, PVC, 1/4 ID X 3/8 OD, CLEAR, CUT 12"
5	1	01-1893	CARBONATOR BASE
6	1	07-0247	CARTON INSERT FOR CARBONATOR, PALLET, 28 X 42, 200 LB. (NOT SHOWN)
7	1	07-0331	CARTON, CARBONATOR, 15-7/8 X 13-7/8 X 11-3/8
8	1	07-0332	CARTON INSERT FOR 07-0331, D/C TOP, 16-3/16 X 16-7/8 (NOT SHOWN)
9	1	07-0333	CARTON INSERT FOR 07-0331, BOTTOM, 27-3/4 X 15-7/8
10	3	09-1877	STUD, PROBE
11	2	10-0251	WASHER, LOCK, #10, EXT. TOOTH
12	2	10-0297	WASHER, LOCK, # 1/4, EXTERNAL TOOTH, ZINC PLATED
13	1	10-1649	MOTOR, 115V, 1/3 HP
14	A/R	10-1651	ADHESIVE, LOCTITE, 565 (NOT SHOWN)
15	1	10-1877	PLUG, CAP, VC-375-8, BLACK
16	2	10-1938	1/4-20 X 5/8, SCREW, HEX HEAD, PHILLIPS
17	4	10-2000	FOOT, RUBBER
18	2	10-2002	1/4-20 X .50, FLANGED, EXPANSION INSERT
19	3	10-2006	CAP PLUG, VC-600-8, BLACK, VINYL
20	1	15-1951	ASSY., 115/220V, PROBE, FLOAT RING
21	1	15-3095	ASSY., TANK, McCANN'S CARBONATOR
22	1	15-3100	ASSY., CARBONATOR, WATER INLET & NUT, PLASTIC BASE
23	1	16-0148	PUMP, BRASS, ROTARY VANE, PROCON
24	1	16-2115-41	ASSY. PROBE, 115V ELECTRICAL, BLACK CAP
25	1	17-0500	INSTRUCTION, INSTALLATION, CARBONATOR & PROBE (NOT SHOWN)
26	1	18-1075	DECAL, INSPECTION STICKER (11 THRU 25)
27	1	18-1339	DECAL, CARBONATOR TANK, WARNING, CO2
28	2	18-1350	DECAL, COKE, IC, SERIAL NUMBER
29	1	18-1368	DECAL, TEST STICKER
30	1	18-1503	LABEL, CARBONATOR, LARGE
31	1	18-1605	LABEL, MODEL, SERIAL NUMBER, CARBONATOR, E400397
32	1	19-0028	FITTING, 3/8 MALE FLARE X 3/8 MALE PIPE THREAD, BRASS
33	1	19-0031	VALVE ASSY. PRESSURE RELIEF, CARB. TANK, 180 PSI, RED HANDLE
34	2	19-0268	GASKET, FLARE, 3/8, SAE
35	1	10,5-505R	CLAMP STEPLESS SS
36	1	19-0897	ASSE 1022, BACKFLOW PREVENTER

In the interest of continued product improvement, we reserve the right to change specifications without notice
 3178G ©Manitowoc Beverage Systems 2012 3/12

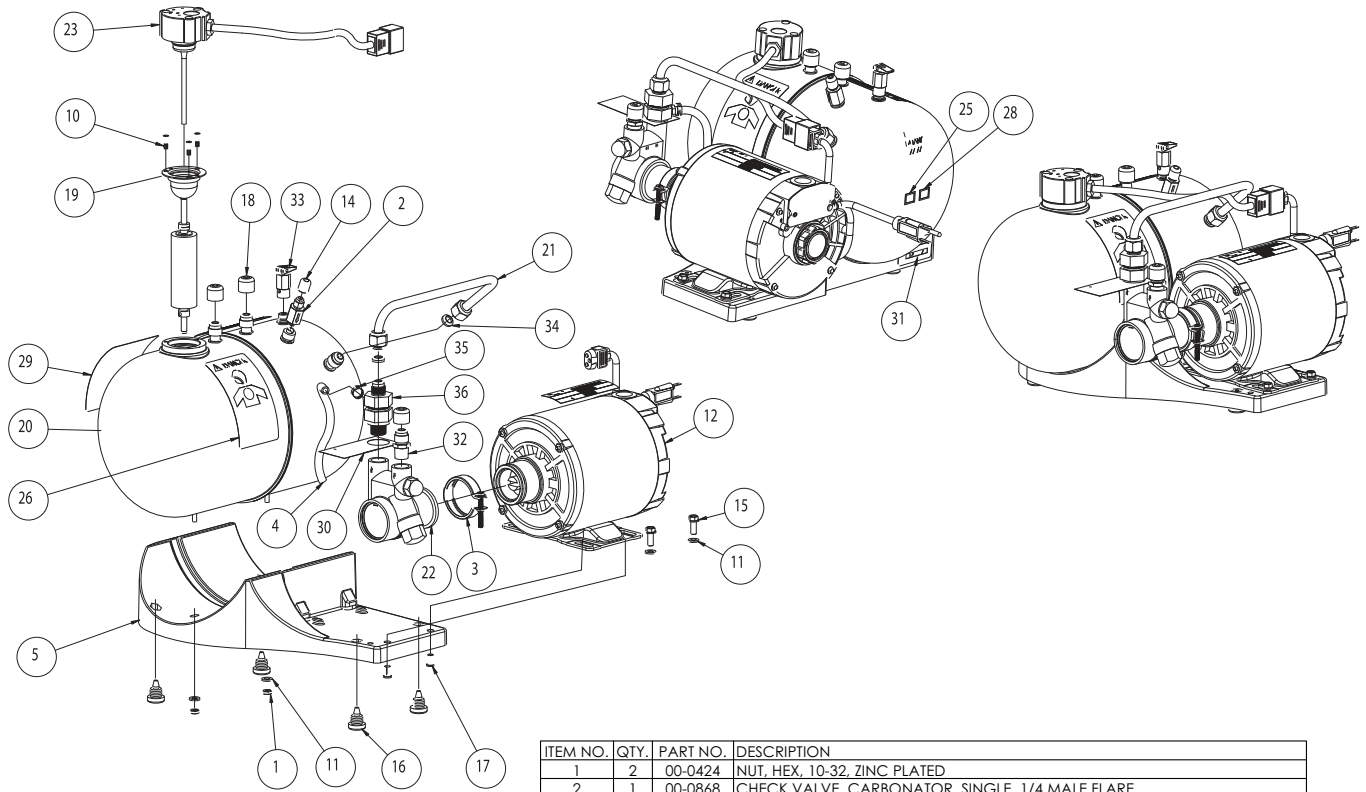
Toll Free: 1.800.334.4875
 Fax: 1.800.572.0881

www.manitowocbeverage.com/us



CARBONATORS

E400397 Exploded View Drawing



ITEM NO.	QTY.	PART NO.	DESCRIPTION
1	2	00-0424	NUT, HEX, 10-32, ZINC PLATED
2	1	00-0868	CHECK VALVE, CARBONATOR, SINGLE, 1/4 MALE FLARE
3	1	00-1222	CLAMP, V-BAND, CARBONATOR
4	1	01-1649	TUBING, PVC, 1/4 ID X 3/8 OD, CLEAR, CUT 12"
5	1	01-1893	CARBONATOR BASE
6	1	07-0247	CARTON INSERT FOR CARBONATOR, PALLET, 28 X 42, 200 LB. (NOT SHOWN)
7	1	07-0331	CARTON, CARBONATOR, 15-7/8 X 13-7/8 X 11-3/8
8	1	07-0332	CARTON INSERT FOR 07-0331, D/C TOP, 16-3/16 X 16-7/8 (NOT SHOWN)
9	1	07-0333	CARTON INSERT FOR 07-0331, BOTTOM, 27-3/4 X 15-7/8
10	3	09-1877	STUD, PROBE
11	2	10-0251	WASHER, LOCK, #10, EXT. TOOTH
12	2	10-0297	WASHER, LOCK, # 1/4, EXTERNAL TOOTH, ZINC PLATED
13	1	10-1649	MOTOR, 115V, 1/3 HP
14	A/R	10-1651	ADHESIVE, LOCTITE, 565 (NOT SHOWN)
15	1	10-1877	PLUG,CAP, VC-375-8, BLACK
16	2	10-1938	1/4-20 X 5/8, SCREW, HEX HEAD, PHILLIPS
17	4	10-2000	FOOT, RUBBER
18	2	10-2002	1/4-20 X .50, FLANGED, EXPANSION INSERT
19	3	10-2006	CAP PLUG, VC-600-8, BLACK, VINYL
20	1	15-1951	ASSY., 115/220V, PROBE, FLOAT RING
21	1	15-3095	ASSY., TANK, McCANN'S CARBONATOR
22	1	15-3100	ASSY., CARBONATOR, WATER INLET & NUT, PLASTIC BASE
23	1	16-0148	PUMP, BRASS, ROTARY VANE, PROCON
24	1	16-2115-41	ASSY. PROBE, 115V ELECTRICAL, BLACK CAP
25	1	17-0500	INSTRUCTION, INSTALLATION, CARBONATOR & PROBE (NOT SHOWN)
26	1	18-1075	DECAL, INSPECTION STICKER (11 THRU 25)
27	1	18-1339	DECAL, CARBONATOR TANK, WARNING, CO2
28	2	18-1350	DECAL, COKE, IC, SERIAL NUMBER
29	1	18-1368	DECAL, TEST STICKER
30	1	18-1503	LABEL, CARBONATOR, LARGE
31	1	18-1605	LABEL, MODEL, SERIAL NUMBER, CARBON ATOR, E400397
32	1	19-0028	FITTING, 3/8 MALE FLARE X 3/8 MALE PIPE THREAD, BRASS
33	1	19-0031	VALVE ASSY. PRESSURE RELIEF, CARB. TANK, 180 PSI, RED HANDLE
34	2	19-0268	GASKET, FLARE, 3/8, SAE
35	1	10-5-505R	CLAMP STEPLESS SS
36	1	19-0897	ASSE 1022, BACKFLOW PREVENTER

In the interest of continued product improvement, we reserve the right to change specifications without notice
3178G ©Manitowoc Beverage Systems 2012 3/12

Toll Free: 1.800.334.4875
Fax: 1.800.572.0881

www.manitowocbeverage.com/us

 **Manitowoc**
Beverage Systems

CARBONATORS

ASSE 1022 Backflow Preventer Regulations

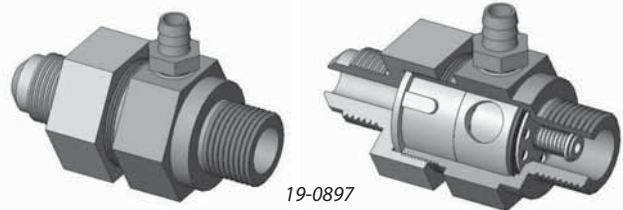
Under backflow conditions, a vented backflow preventer provides pressure relief if the primary check valve fails ensuring that the secondary check valve will remain closed. UPC and NSPC plumbing codes in many states now require that an air gap or vented backflow preventer that meets ASSE standard 1022 is used on all carbonated beverage dispensers. Fountain dispensers that currently use an internal non-vented dual check valve (ASSE 1032), the industry standard for decades, will be required to have an ASSE 1022 device installed on the dispenser water line.

McCann's ASSE 1022 Backflow Preventer

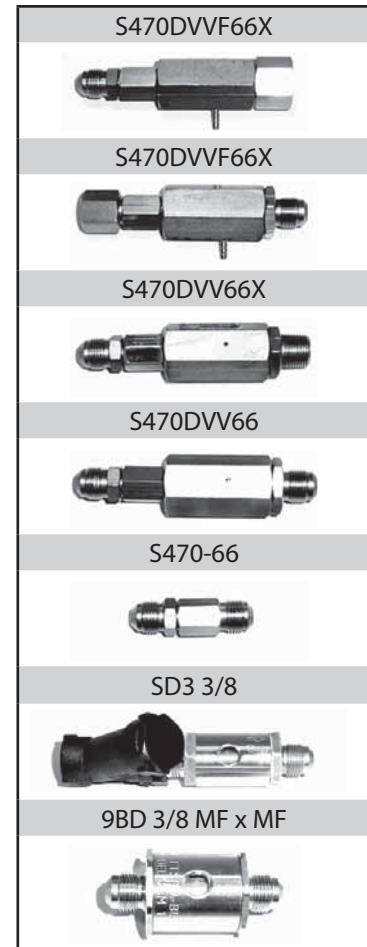
Features working pressures from 10 to 200 PSI, working temperatures up to 130°F, and can be used in horizontal or vertical applications. It's reliable, easy to install, service and maintain, and UL, NSF, ASSE certified.



Item	Description
19-0897	Backflow preventer ASSE 1022 McCann's
19-0980	Backflow preventor ASSE 1022 MCC stainless ST
00-0868	Check valve single McCann's
19-0020	Double check valve
19-0437	Double check valve McCann's
19-0636	Ventable check valve McCann's
19-0778	Ventable check valve 3/8 McCann's



Item	Description
911-69X	Backflow preventer 3/8 MF x 9/16-27 w/vent
911-6F4	Backflow preventer 3/8 MF x 1/4 FF
00215561	Backflow preventer 3/8 MF x 3/8 FF
914-66	Backflow preventer w/check 3/8 MF
00205561	Backflow preventer w/check 3/8 MF x 3/8 FF
914-6P6X	Backflow preventer w/check 3/8 MF x 3/8 MPT w/vent
914-P66	Backflow preventer w/check 3/8 MPT x 3/8 MF
9BD 3/8MF X MF	Backflow preventor 3/8 MF x MF
9BD-WATTS	Watts ventable check valve
S425-6-180	Pressure relief valve 3/8 150p
S470-4F4	Check valve single 1/4 MF x 1/4 FF
S470D44	Check valve double ball 1/4 MF
S470D66	Check valve double ball 3/8 MF
S470DP24	Check valve double ball 1/4 MF x 1/8 MPT
S470DVV6F6	Backflow preventer w/double check 3/8 MF x 3/8 FF
S470DVV6F6X	Backflow preventer w/double check 3/8 MF x 3/8 FF w/vent
S470DVVF66X	Backflow preventer w/double check 3/8 FF x 3/8 MF w/vent
S470DVVP66X	Backflow preventer w/double check 3/8 MPT x 3/8 MF w/vent
SD3 3/8	Backflow preventor w/strainer
S470DVV66X	Backflow preventer w/double check 3/8 MF w/vent



In the interest of continued product improvement, we reserve the right to change specifications without notice
3178G ©Manitowoc Beverage Systems 2012 3/12

Toll Free: 1.800.334.4875
Fax: 1.800.572.0881

www.manitowocbeverage.com/us

Manitowoc
Beverage Systems

CARBONATORS

Procon® Rotary Vane Pumps

Rotary vane pumps are designed to pump potable water for beverage applications. Strainers trap particles that can cause damage to the pump. Models with strainers have removable caps for periodic cleaning (every 4 months under normal conditions). Inlet and outlet ports are 3/8" NPT threaded. Coupler, item #1143, attaches the pump to the carbonator motor. NSF approved.



111A100F11AA and
111A125F11AA



112A100F11AA



113A100F31XX

Item	Description
111A100F11AA	Carbonator pump w/strainer 100 gph brass
111A125F11AA	Carbonator pump w/strainer 125 gph brass
113A100F31XX	Carbonator pump 100 gph no relief valve
112A100F11AA	Carbonator pump no strainer 100 gph brass
111A100F11AA250	Carbonator pump w/ strainer 100 gph brass 250 psi
113A100F31BA250	Carbonator pump 100 gph SS 250 PSI
103A100F31XX	Carbonator pump 100 gph SS no relief valve
104B165S12XX	Carbonator pump 165 gph large brass no relief valve
101B100F11BC	Carbonator pump w/ strainer 100 gph brass 99 PSI

Item	Description
1039	Nameplate Procon
1034-A7	Seal assembly nitrile Procon
1138	Strainer Procon
3146	Acorn nut gasket Procon
1040	Retaining ring small Procon
1041	Retaining ring large Procon
1143	Coupling pump to carbonator motor Procon
3212	O-ring strainer Procon

In the interest of continued product improvement, we reserve the right to change specifications without notice
3178G ©Manitowoc Beverage Systems 2012 3/12

Toll Free: 1.800.334.4875
Fax: 1.800.572.0881

www.manitowocbeverage.com/us

 **Manitowoc**
Beverage Systems



CARBONATORS

Parts and Accessories

Item	Description
14-5415	Shelf carbonator wall, floor, or rack mount
16-1404	Probe conversion 2 piece McCann's
16-1459	Carbonator shelf floor unassembled McCann's
16-1480	Carbonator shelf wall unassembled
16-1521	Carbonator conversion kit simplex ASSE 1022 McCann's
16-1522*	Carbonator conversion kit E2000 ASSE 1022 McCann's
16-1552	Carbonator shelf internal carb retrofit XL McCann's
16-2115	Probe only McCann's
16-2125	Probe intellicarb express McCann's
16-2220	Probe 220v electrical
2701	Carbonation tester
2701-200A	Canister assembly carb tester
RHB-32	Refractometer brix 0-32 percent

*McCann's is a registered trademark of McCann's Engineering & Manufacturing, a Manitowoc Company, Los Angeles, California.
Procon is a registered trademark of PROCON Products, Murfreesboro, Tennessee.*

** Kit converts an E200092 to an E200397 to become ASSE 1022 certified.
Kit includes SD-3 backflow preventer, stainless steel connection tube, and fittings and washers to complete the conversion.*

<p>16-1459 Carbonator Stand</p> 	<p>16-1404 Probe Assembly</p> 	<p>14-5415</p> 
<p>16-1480 Carbonator Shelf</p> 	<p>RHB-32</p> 	<p>2701</p> 

In the interest of continued product improvement, we reserve the right to change specifications without notice
3178G ©Manitowoc Beverage Systems 2012 3/12

Toll Free: 1.800.334.4875
Fax: 1.800.572.0881

www.manitowocbeverage.com/us

Manitowoc
Beverage Systems