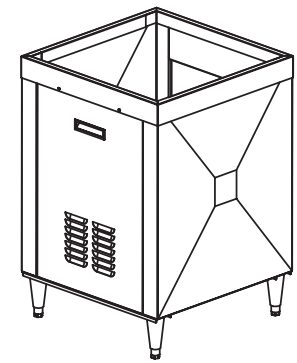


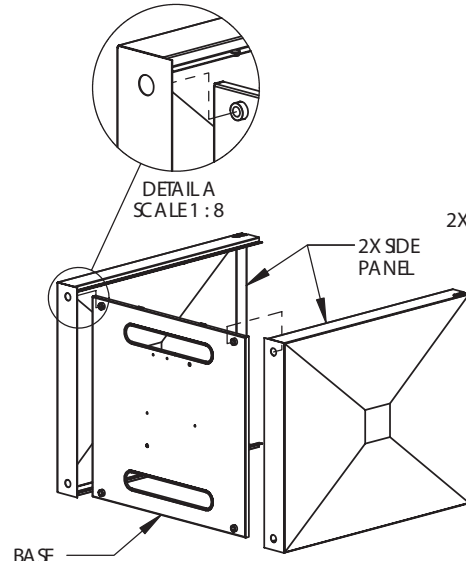
MODEL: MC1522, MC2323 & MC3023
DROP-IN STAND
PART NUMBER: 16-1337,16-1321 & 16-1576

THE MC 2323 STAND WILL BE SHIPPED UN-ASSEMBLED. IT HAS BEEN DESIGNED TO BE ASSEMBLED ON LOCATION



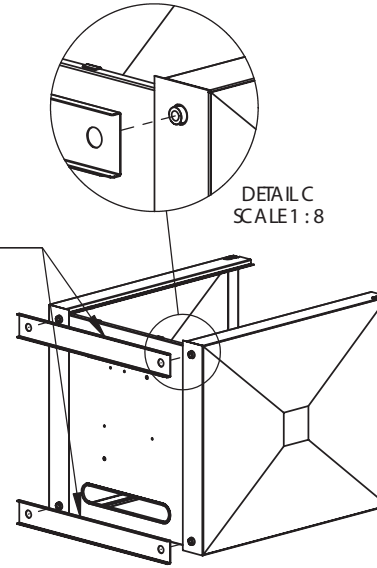
UNIT COMPLETELY ASSEMBLED

- 1. TOP PANEL
- 2. REAR PANEL
- 3. FRONT PANEL
- 4. BRACE PANEL (2)
- 5. SIDE PANEL (2)
- 6. CAP PLUG (4)
- 7. BASE
- 8. SUPPORT ANGLE (2)
- 9. LEG (4)



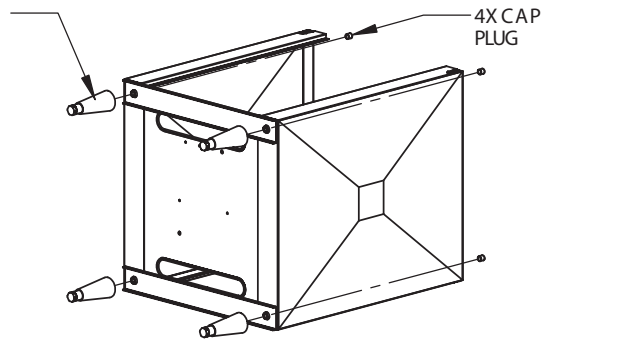
STEP-1

1. SLIDE SIDE PANELS TO BASE AS SHOWN.



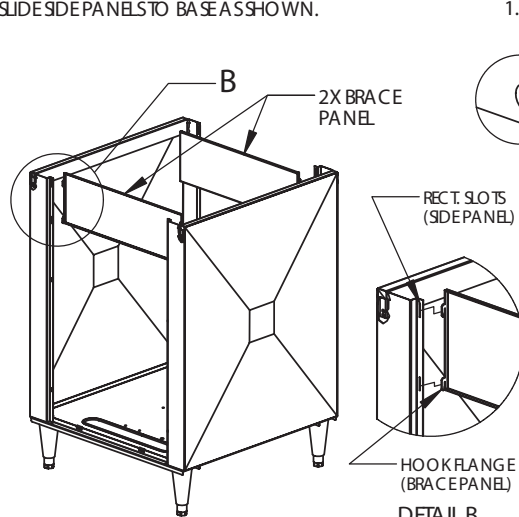
STEP-2

1. PLACE SUPPORT ANGLES UNDER THE SIDE PANELS



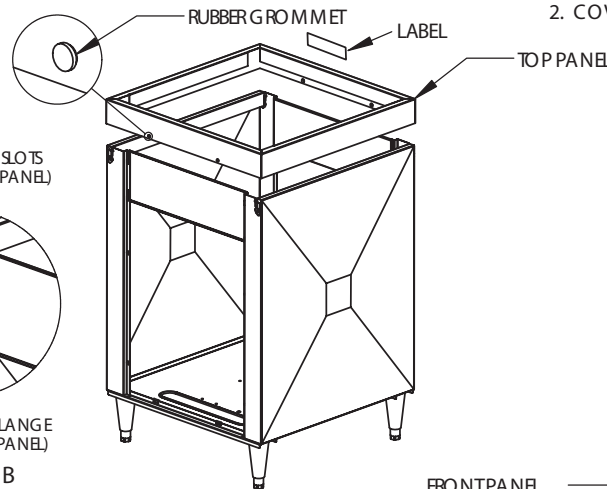
STEP-3

1. SCREW LEG INTO THE BASE THRU SUPPORT ANGLES AND SIDE PANELS
 2. COVER EXPOSED THREADS OF THE LEGS WITH CAP PLUGS



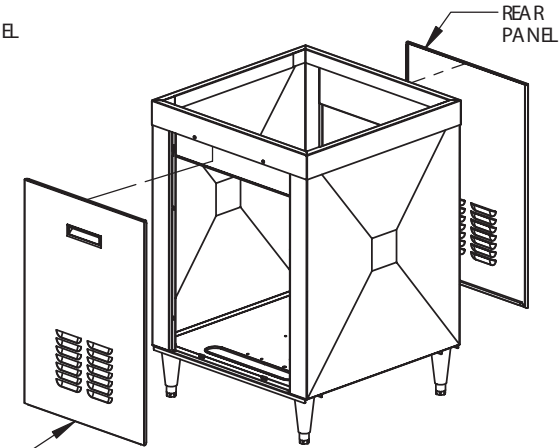
STEP-4

1. PLACE BRACE PANEL ON THE INSIDE OF THE FRAME ENGAGING THE HOOK FLANGES OF THE BRACE TO THE RECTANGULAR SLOTS ON THE SIDE PANELS



STEP-5

1. PLACE TOP PANEL AS SHOWN WITH THE RUBBER GROMMETS ALONG OPEN SIDES



STEP-6

1. INSERT REMOVABLE FRONT & REAR PANELS

* NOTE: USE ANY NSF LISTED SILICONE OR MULTI PURPOSE SEALANT FOR SEALING PURPOSES IF REQUIRED. (I.E DOW CORNING 732 AND/ OR BOSTIK 9732)