

1. GENERAL INFORMATION

This instruction Sheet provides the necessary information to remove the old Liquid Level Control (LLC) Board from the carbonator, and to install a new LLC Board to the carbonator.

1.1 Removal of Old LLC Board

⚠ WARNING CARBONATOR MUST BE UNPLUGGED FROM POWER SOURCE BEFORE ANY COMPONENTS ARE REMOVED OR INSTALLED.

- Unplug the carbonator unit power cord from the electrical outlet.
- Remove Carbonator Control Box Cover.
- Disconnect wires 1, 2, 3, 4, H, L, and G, and remove the LLC Board from the carbonator.

1.2 Installation of New LLC Board

- Before installation, make any desired configuration changes. Refer to configuration section.
- Install the new LLC Board to the carbonator.
- Reconnect wires 1, 2, 3, 4, H, L, and G to the LLC Board (see Figure 1). For Non-diagnostic applications confirm SW1 pos 1 is off.
- Install Carbonator Control Box Cover. Secure the Cover with the two (2) Enclosure screws.
- If a test switch is installed on the carbonator control box, remove any "TEST SWITCH ONLY" label and affix the included label around the switch.
- Plug carbonator unit power cord into electrical outlet.

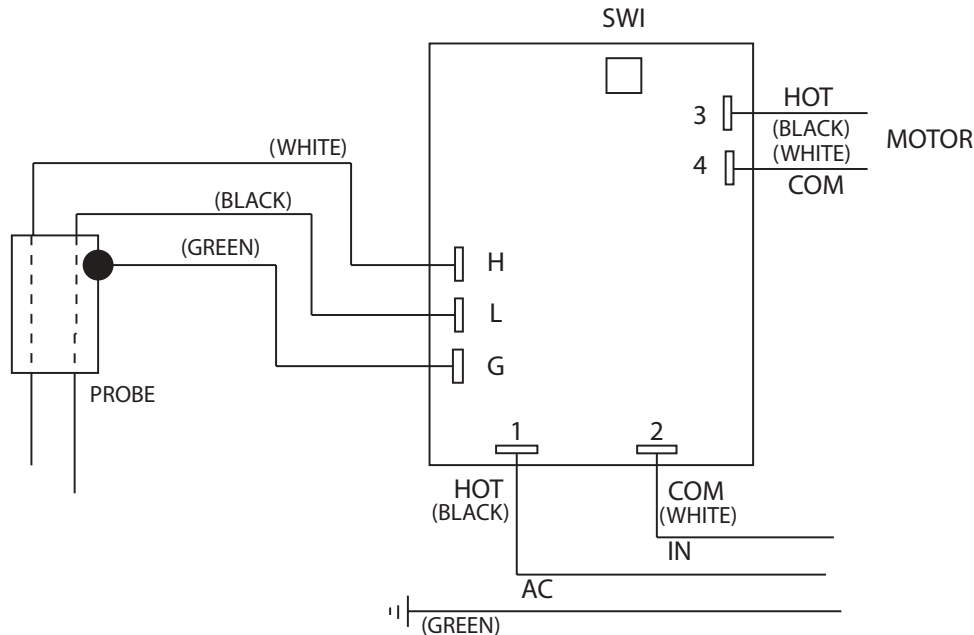


Figure 1

⚠ This Instruction Sheet supersedes and replaces 28-0039/02, dated 07/12/07 ⚠

LANCER CORP, 6655 Lancer Blvd., San Antonio, Texas 78219

To order parts, call Customer Service: 800-729-1500 - Warranty/Technical Support: 800-729-1550

Email: custserv@lancercorp.com - website: www.lancercorp.com

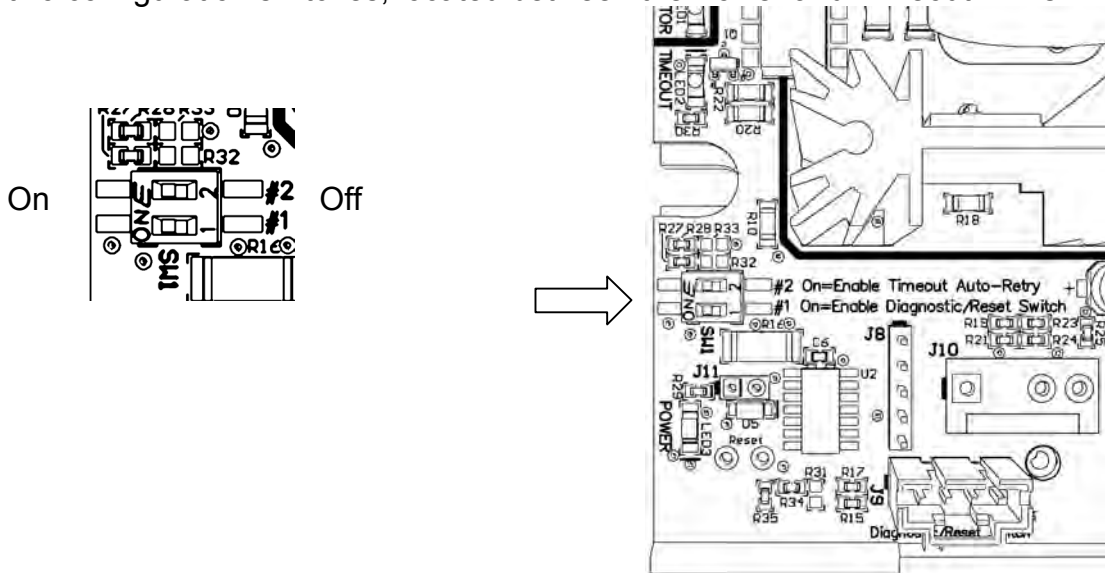
Manual PN: 28-0039/03 - NOVEMBER 27, 2013

"Lancer" is the registered trademark of Lancer © 2014 by Lancer, all rights reserved.

CONTINUED ON NEXT PAGE.....

6. Configuration

The new carbonator PCB assemblies 64-5076 (230V) and 64-5081 (115V) have two configuration switches, located between the Power and Timeout LEDs:



These switches can be switched with a small screwdriver or a ballpoint pen. Toward the edge of the board is On, toward the center is Off.

	On	Off
Pos 1 — Enable Diagnostic/Reset Switch	Switch must be connected to J9 Pressing and holding the switch connected to J9 will test the motor. Releasing the switch will reset any timeout.	J9 may be empty (no jumpers required). Any connected switch is ignored.
Pos 2 — Enable Timeout Auto-Retry	If the tank fails to fill within 3 minutes, the carbonator times out and will attempt to fill itself every 15 minutes for 3 hours. If it succeeds, normal operation will resume. The timeout LED will blink slowly within the 3 hours, then quickly after.	If the tank fails to fill within 3 minutes, the carbonator times out and never retries. The timeout LED will turn on continuously when the carbonator times out.

2. LANCER CARBONATOR LIQUID LEVEL CONTROL SPECIFICATIONS

INPUT VOLTAGE	52-1677/01	115 VAC 50/60 Hz
	52-2962	230 VAC 50/60 Hz
OUTPUT	1/3 HP Motor Maximum 115 VAC or 230 VAC	
PROBE	14 VAC @ .002 AMP Maximum	

⚠ Please refer to the Lancer web site (www.lancercorp.com) for information relating to Lancer Installation and Service Manuals, Instruction Sheets, Technical Bulletins, Service Bulletins, etc. ⚠