

FLOJET®

Installation & Operation for G56 Series (Beer) Gas (CO₂) / Air Driven Pump

APPLICATION INFORMATION

Flojet's G56 Series beer pumps are designed for dispensing draught beer from a keg, cask or brew kettle through both long or short, vertical or horizontal line runs while maintaining the brewers recommended applied pressure on the beer. The gas pressure applied to the beer and the air/gas pressure applied to the pump, to move the beer from the vessel to the point of dispense, are **completely separate**.

INSTALLATION

SYSTEM RESTRICTIONS

The pressure to the keg in a pump system should always be only the pressure and type of gas the brewer recommends to maintain the carbonation level in the keg.

The operating pressure to the pump is used to control the flow rate. Due to the pumps powerful hydraulic push against the beer, the system must be considerably over restricted. Use the following as a general guideline:

For 3/8" ID Trunkline

- Up to 100' length, use 13 feet of 3/16" choker line.
- From 100' to 125', use 12 feet of 3/16" choker line.
- From 125' to 150', use 11 feet of 3/16" choker line.
- From 150' to 175', use 10 1/2 feet of 3/16" choker line.
- From 175' to 200', use 10 feet of 3/16" choker line.

For 5/16" ID Trunkline

- Up to 75' length, use 9 feet of 3/16" choker line.
- From 75' to 100', use 8 feet of 3/16" choker line.
- From 100' to 125', use 7 feet of 3/16" choker line.
- From 125' to 150', use 6 feet of 3/16" choker line.
- From 150' to 175', use 5 feet of 3/16" choker line.
- 5/16" not recommended for lengths over 175'.

For 1/4" ID Trunkline

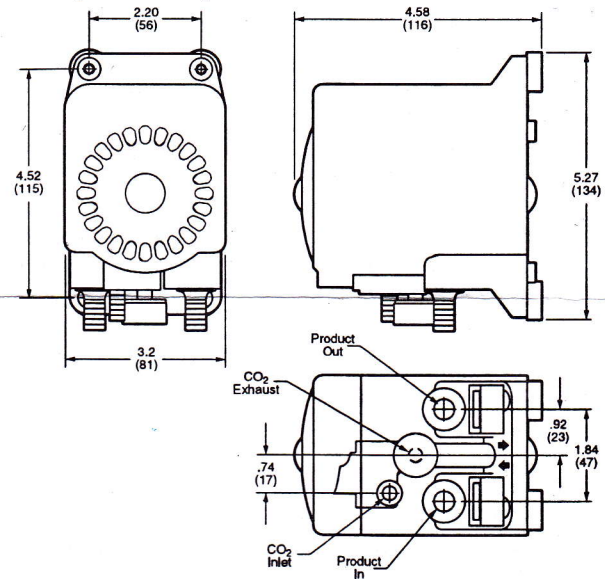
- Up to 75' length, use 5 feet of 3/16" choker line.
- 5/16" not recommended for lengths over 75'.

MOUNTING

- Pump must be located within 10 ft. (1.83 m) above or below the keg or cask.
- Pump ports must be facing down to maximize pump performance.
- Mounting grommets are part of pump assembly, and add stability.
- Fasten pump securely to wall or rack.
- If using a FOB device, mount it slightly above and directly after the pump. Caution: If a FOB is not used, the pump will continue to cycle after the keg has run dry.

DIMENSIONAL DRAWING

Inches (Millimeters)



TECHNICAL SPECIFICATIONS

Pump Design:Positive Displacement, Double Diaphragm
Power Source:CO₂ Gas, Nitrogen or Compressed Filtered Air
Materials of Construction (wetted parts):Polypropylene, Santoprene®, EPDM, AISI 304 Stainless Steel
Temperature Limits:30° - 120° F (1.1° - 49° C)
Weight:1.24 lbs. (0.56 kg.)
Dimensions:5.27" H x 3.21" W x 4.58" D (133.8 mm x 81.5 mm x 116.3 mm)
Displacement:3.2 oz. per cycle
Self Priming:Up to 10 ft. (3.05 m)
Operating Pressure: ..10 psi (0.7 bar) min./90 psi (6.2 bar) max.
Liquid Inlet Pressure:30 psi (2.1 bar) max.
Flow Rate:5 GPM (18.9 LPM) - Open Flow
Noise Level:Maximum 80 dB
Approvals:.....NSF listed, SK & CE

AVAILABLE PORT FITTINGS

Gas Inlet:

- 1/4" (6.3mm) Barb, plastic, straight
- 1/4" (6.3mm) Barb, brass w/CO₂ shut-off - straight, tee or elbow.
- John Guest for 1/4" O.D. tubing, plastic or brass w/CO₂ shut-off

Gas Outlet:

- 1/4" (6.3mm) Barb, plastic, straight, tee or elbow

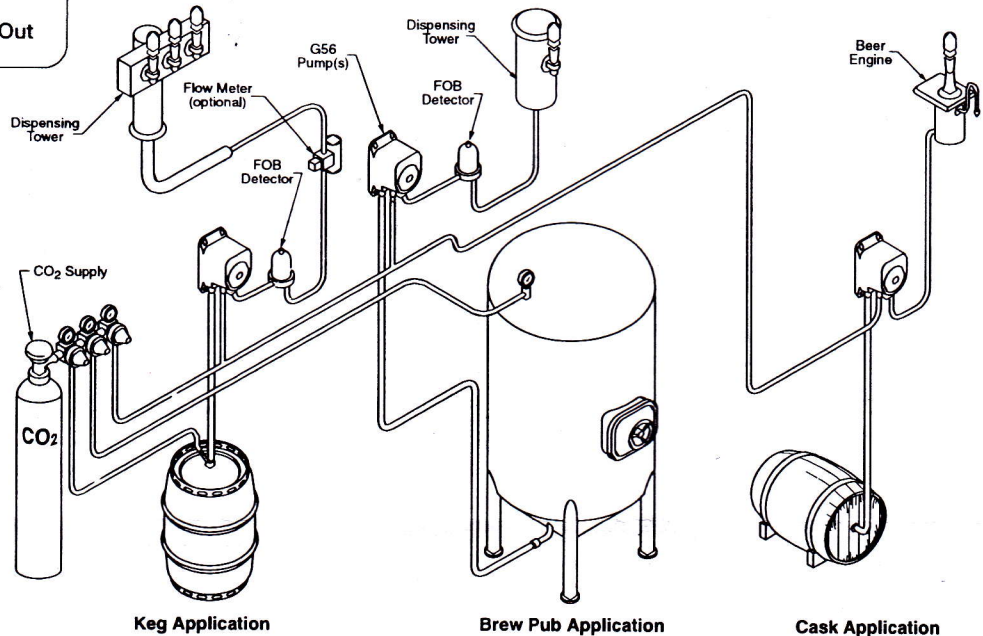
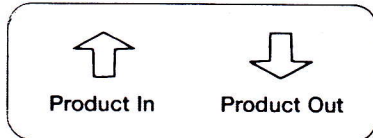
Product Inlet & Outlet:

- 1/4" (6.3mm) Barb, stainless steel, straight
- 3/8" - 1/2" (10mm - 13mm) Barb, plastic, straight
- 1/2" (12.7mm) Barb, plastic, straight
- John Guest for 1/4", 3/8" or 1/2" O.D. tubing, plastic

HOSE CONNECTIONS

- All fittings are quick change.
- Be sure the brass CO₂ fitting is installed all the way and the retainer clip is engaged.
- Use high pressure, brewery approved tubing between the Flojet G56 Pump and the faucet. Cut CO₂ and outlet tubing at least 2 ft. (.6M) longer than needed to provide a service loop.
- Secure with appropriate Oetiker Clamp for specified tubing size or worm gear clamp 360 uniform clamping band.
- It is advisable to secure all hoses to prevent excessive movement.
- If pump is installed in an enclosed area such as a closet, basement or cooler box, connection of a hose to the gas discharge fitting should be done to vent CO₂ to atmosphere safely. The muffler portion of the CO₂ exhaust can be removed with pliers.
- The CO₂ exhaust fitting may be removed when the air pressure is released to empty pump of condensation when using an air compressor.

Pump Symbols



OPERATION

START-UP PROCEDURE

To start operation, set pressure to 15 PSI (1.5 BAR) will and adjust up until desired flow rate is obtained. Once primed, pump will operate automatically by starting and stopping on demand, as the faucet is opened and closed. Product flow can be adjusted by increasing or decreasing gas pressure to the pump.

PUMP / LINE CLEANING

Frequent cleaning of all equipment, including the G56 Beer Pump is required. The G56 can be used as a line-cleaning pump by disconnecting the keg coupler and submerging it in cleaning solution. The pump will draw solution in and pump it through the system to the faucet.



WARNING



IF USED WITH CO₂ OR N₂ BE SURE THE AREA IS WELL VENTILATED

ONLY USE PUMPS WITH SPECIFIED PRODUCTS. DO NOT PUMP FLAMMABLE LIQUIDS OR USE WHERE FLAMMABLE VAPORS ARE PRESENT

WARRANTY

FLOJET warrants this product to be free of defects in material and/or workmanship for a period of three (3) year after purchase by the customer from FLOJET. During this three (3) year warranty period, FLOJET will at its option, at no charge to the customer, repair or replace this product if found defective, with a new or reconditioned product, but not to include costs of removal or installation. No product will be accepted for return without expressed authorization. All returned goods must be shipped with transportation charges prepaid. This is only a summary of our Limited Warranty. For a copy of our complete warranty, please request Form No. F100-248.

RETURN PROCEDURE

Prior to returning any product to Flojet, call customer service for an authorization number. This number must be written on the outside of the shipping package. Place a note inside the package with an explanation regarding the reason for return as well as the authorization number. Include your name, address and phone number.



ITT

Engineered for life

U.S.A.
Flojet
666 E. Dyer Rd.
Santa Ana, CA 92705
Phone: 714.557.4700
Fax: 714.628.8478

UNITED KINGDOM
Flojet, Unit 1, Avart
Business Centre
Denbigh West Industrial Estate
Milton Keynes, Bucks, England MK1 1DL
Tel: 44 1908 370088

www.flojet.com

FLOJET®

Troubleshooting for Model G56 CO₂/N₂ Air Operated Beer Pump

TROUBLE SHOOTING CHART

SYMPTOM	POSSIBLE CAUSE	CORRECTIVE ACTION
1. Pump does not operate when dispense tap is operated.	No gas pressure or obstruction in gas line.	Check pressure at reducing valve.
	Obstruction in product discharge line.	Check keg pressure.
	Air/Gas leak in intake line.	Disconnect product out line, run pump to check operation.
	Ruptured pump diaphragm.	Repair intake line.
	Check hop filter (if used) to ensure that is free of debris.	Clean hop filter with water.
2. Pump operates but no flow.	Check the valve for operation.	Replace check valve.
	Possible leak in product inlet or outlet line.	Check cask or keg if empty. Check cask breather. Check keg gas top pressure.
3. Low pressure in system.	Excessive line restriction.	Check pressure settings.
	Gas pressure set too low.	
4. Pump fails to stop when valve is closed.	Possible leak in the discharge line.	Disconnect product out line and operate pump.

PRODUCT WARRANTY

FLOJET Corporation (FLOJET) warrants this product to be free of defects in material and/or workmanship for a period of three (3) years after purchase by the customer from FLOJET. During this three (3) year warranty period, FLOJET will, at its option, at no charge to the customer, repair or replace this product with a new or reconditioned product, but not remove or install, in the event that it is found to be defective in material and/or workmanship.

This Limited Warranty does not include service to diagnose a claimed malfunction in this product at any location other than at FLOJET's corporate headquarters, nor to repair damage due to improper installation, incompatibility with chemicals or accessories not manufactured by FLOJET, external electrical fault, accident, or misuse. All other express and implied warranties for this product including the warranties of merchantability and fitness for a particular purpose, are hereby disclaimed. The product covered by this warranty is marketed and sold by FLOJET as a business rather than consumer product. (Some jurisdictions do not allow the exclusion of implied

warranties nor limitations on how long and implied warranty lasts, so the above limitations may not apply to you.)

If this product is not free of defect as warranted above, your sole and exclusive remedy shall be repair or replacement as provided herein. In no event will FLOJET be liable to customer or to any third party for any damages in excess of the purchase price of the product. This limitation applies to damages of any kind including any direct damages, lost profits, lost investment capital or savings or other special, incidental, exemplary, or consequential damages, whether for breach of contract, tort or otherwise, or whether arising out of the use or inability to use such product even if FLOJET has been advised of the possibility of such damages or of any claim by any other party. (Some jurisdictions do not allow this exclusion of limitation of incidental or consequential damages for some products, so the above limitations or exclusions may not apply to you.)

This warranty gives you specific legal rights. You may also have other rights which may vary from jurisdiction to jurisdiction.



Engineered for life

U.S.A.
Flojet
666 E. Dyer Rd.
Santa Ana, CA 92705
Phone: 714.557.4700
Fax: 714.628.8478

UNITED KINGDOM
Flojet
Bingley Road, Hoddesdon
Hertfordshire EN11 0BU
Tel: +44 (0) 1992 450145
Fax: +44 (0) 1992 467132

www.flojet.com