

# Ice-O-Matic®

## SERVICE PARTS MANUAL ICE SERIES CUBERS

— ICE0806 A1, W1 and R1 Includes 50 Hz models

— ICE0806 A2, W2 and R2 Includes 50 Hz models

— ICE0806 R3 Includes 50 Hz models

*ICE0806 A2A, W2A and R3A Includes 50 Hz models*

— ICE1006 A1, W1 and R1 Includes 50 Hz models

— ICE1006 A2, W2 and R2 Includes 50 Hz models

— ICE1006 R3 Includes 50 Hz models

*ICE1006 A2A, W2A and R3A Includes 50 Hz models*





# ICE Series Service Parts

This parts list contains the service parts available for the ICE Series icemakers listed below.

**ICE0806 A1, W1 and R1 Includes 50 Hz models**  
**ICE0806 A2, W2 and R2 Includes 50 Hz models**  
**ICE0806 R3 Includes 50 Hz models**  
**ICE0806 A2A, W2A and R3A Includes 50 Hz models**

**ICE1006 A1, W1 and R1 Includes 50 Hz models**  
**ICE1006 A2, W2 and R2 Includes 50 Hz models**  
**ICE1006 R3 Includes 50 Hz models**  
**ICE1006 A2A, W2A and R3A Includes 50 Hz models**

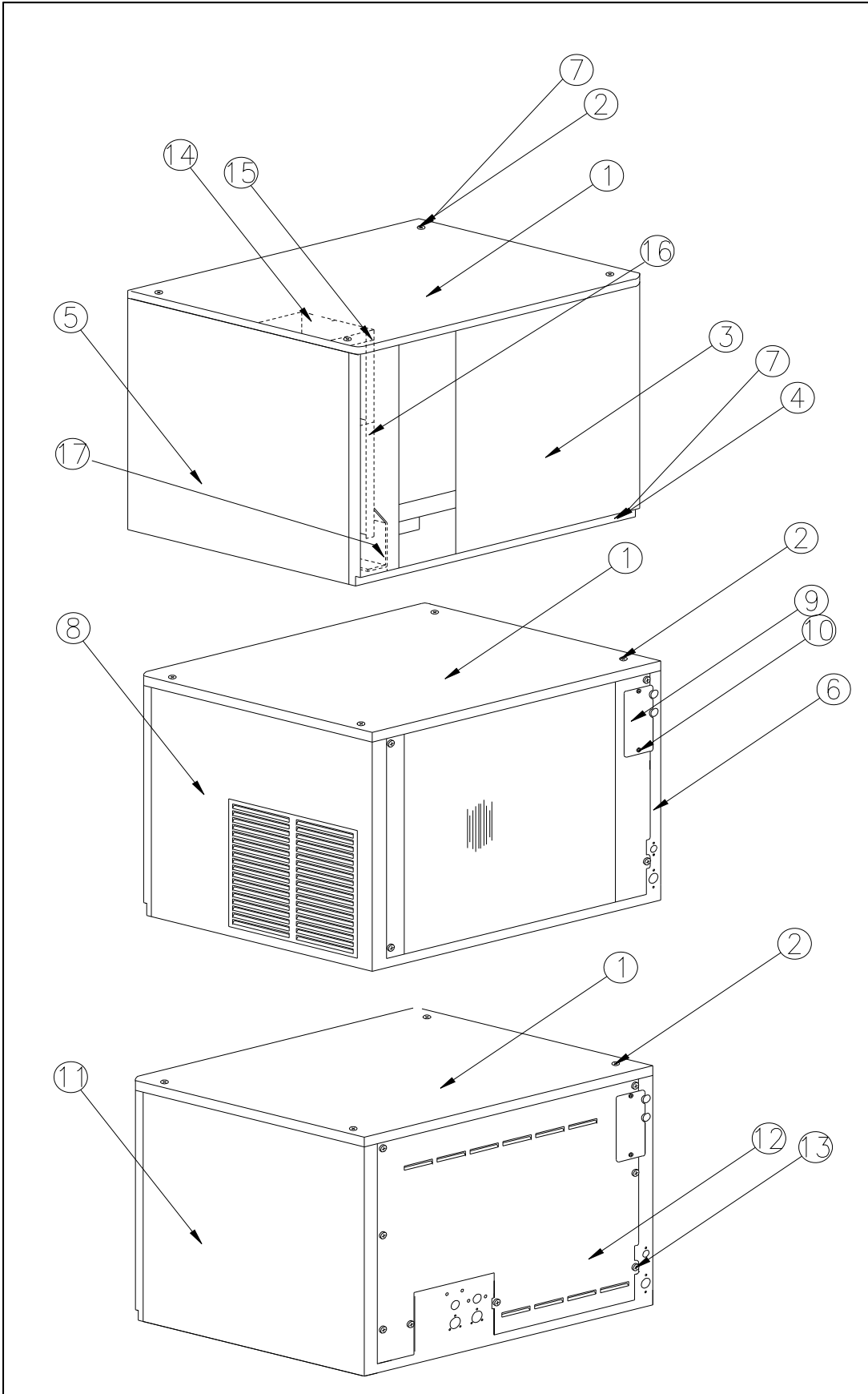
Check the model number on the data plate and refer to the correct listing for the specific component.

Check carefully that the correct part is identified and ordered.

<b>Table of Contents</b>	<b>Page 1</b>
<b>Exterior Components</b>	<b>Page 2 - 3</b>
<b>Interior Components-Front View</b>	<b>Page 4 - 5</b>
<b>Air Cooled</b>	<b>Page 6 - 7</b>
<b>Water Cooled</b>	<b>Page 8 - 9</b>
<b>Remote</b>	<b>Page 10 - 11</b>
<b>Control Box</b>	<b>Page 12 - 13</b>
<b>Specific Compressor Components</b>	<b>Page 13</b>
<b>Old Style Harvest Assist Assembly</b>	<b>Page 14 - 15</b>
<b>New Style Harvest Assist Assembly</b>	<b>Page 16 - 17</b>
<b>Remote Condenser</b>	<b>Page 18 - 19</b>

Ice-O-Matic  
11100 East 45th Ave.  
Denver Co. 80239  
866-PUREICE

The ICE Series Service manual is available separately, Part number 9081270-01



# ICE Series Service Parts

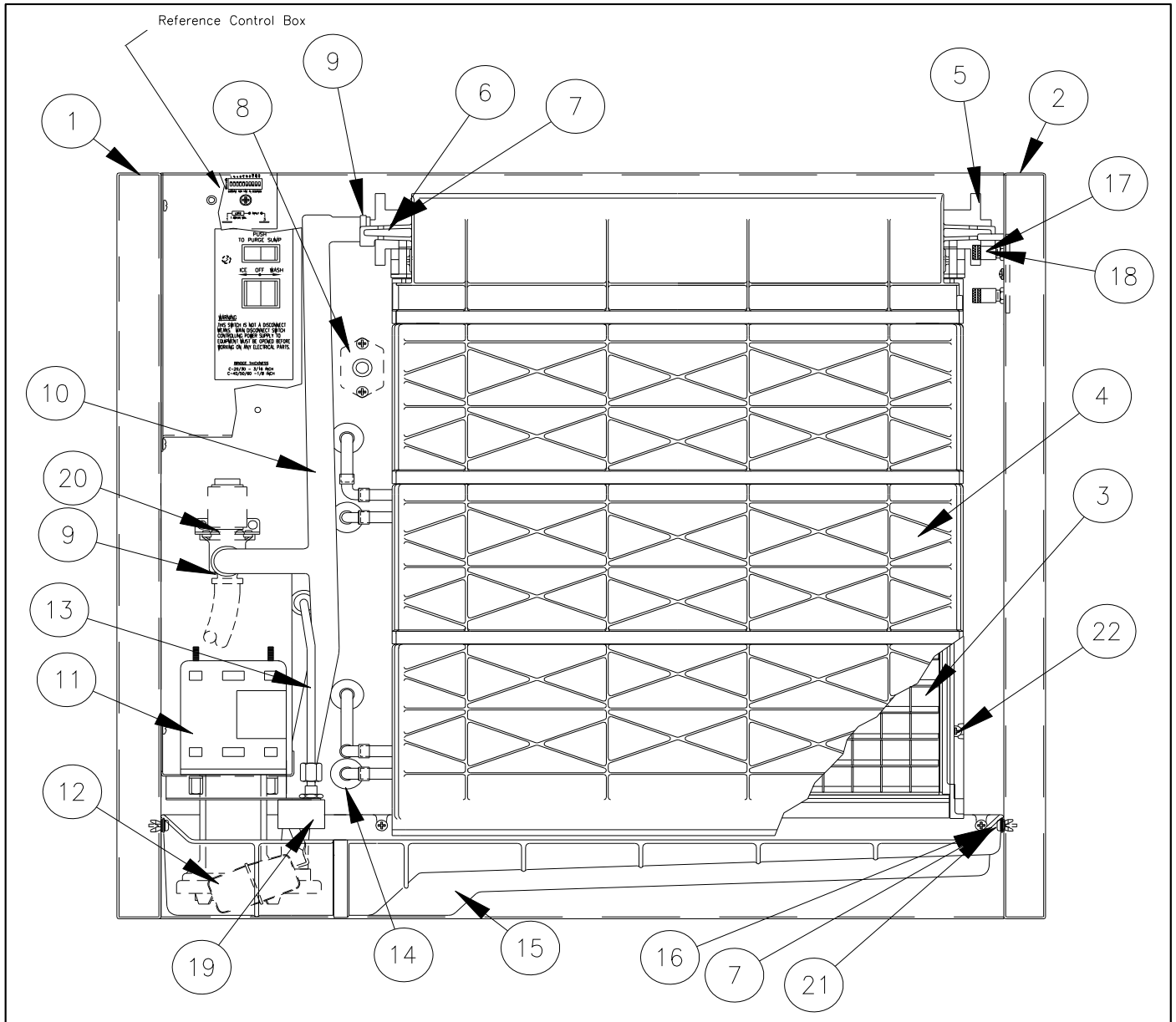
# Exterior Components

Item No.	Description	Model Number				
		ICE0805	ICE0806	ICE1005	ICE1006	ICE1007
1	Top Panel-Air Cooled	2101285-01S	2101285-01S	2101285-01S	2101285-01S	2101285-01S
1	Top Panel-Water and Remote	9051466-01	9051466-01	9051466-01	9051466-01	9051466-01
1	Top Panel-Wall Hugger Remote	9051466-03	9051466-03	9051466-03	9051466-03	9051466-03
2	Top Panel Screw	9031098-02	9031098-02	9031098-02	9031098-02	9031098-02
3	Front Panel	2031465-03	2031465-03	2031465-03	2031465-03	2031465-03
4	Front Panel Screw	9031098-02	9031098-02	9031098-02	9031098-02	9031098-02
5	LH Side Panel	3021773-01	3021773-01	3021773-01	3021773-01	3021773-01
6	Side Panel Screws	9031046-02	9031046-02	9031046-02	9031046-02	9031046-02
7	Plastic Nut Insert	9031141-01	9031141-01	9031141-01	9031141-01	9031141-01
8	RH Side Panel- <b>Louvered</b>	3021794-01	3021794-01	3021794-01	3021794-01	3021794-01
9	Junction Box Cover	3012681-01	3012681-01	3012681-01	3012681-01	3012681-01
10	Junction Box Cover Screw	9031046-01	9031046-01	9031046-01	9031046-01	9031046-01
11	RH Side Panel- <b>Solid</b>	3021775-01	3021775-01	3021775-01	3021775-01	3021775-01
12	Rear Panel	3021740-01	3021740-01	3021740-01	3021740-01	3021740-01
13	Rear Panel Screw	9031046-01	9031046-01	9031046-01	9031046-01	9031046-01
14	Control Box Top Cover	3012905-01	3012905-01	3012905-01	3012905-01	3012905-01
15	Control Box Side Cover	3012891-01	3012891-01	3012891-01	3012891-01	3012891-01
16	Control Box Screws	9031046-01	9031046-01	9031046-01	9031046-01	9031046-01

## ICE0806 A2A, W2A and R3A Includes 50 Hz models

## ICE1006 A2A, W2A and R3A Includes 50 Hz models

Item No.	Description	Model Number				
		ICE0805	ICE0806	ICE1005	ICE1006	ICE1007
1	Top Panel	2101425-01S	2101425-01S	2101425-01S	2101425-01S	2101425-01S
3	Front Panel	2031511-02S	2031511-02S	2031511-02S	2031511-02S	2031511-02S
3	Front Panel End Cap, Right Hand	9051562-03	9051562-03	9051562-03	9051562-03	9051562-03
3	Front Panel End Cap, Left Hand	9051562-04	9051562-04	9051562-04	9051562-04	9051562-04
4	Front Panel Screws	9031098-04	9031098-04	9031098-04	9031098-04	9031098-04
5	Left Hand Side Panel	9051565-04	9051565-04	9051565-04	9051565-04	9051565-04
7	Plastic Nut	9031141-01	9031141-01	9031141-01	9031141-01	9031141-01
8	Right Hand Side Panel- <b>Air Cooled</b>	2101428-02	2101428-02	2101428-02	2101428-02	2101428-02
11	Right Hand Side Panel-W & R	9051565-04	9051565-04	9051565-04	9051565-04	9051565-04
12	Rear Panel	3021740-01	3021740-01	3021740-01	3021740-01	3021740-01
13	Rear Panel Screws	9031046-01	9031046-01	9031046-01	9031046-01	9031046-01
14	Control Box Top Cover	3012905-01	3012905-01	3012905-01	3012905-01	3012905-01
15	Control Box Side Cover	3012891-01	3012891-01	3012891-01	3012891-01	3012891-01
NA	Rear Brace	3012724-01	3012724-01	3012724-01	3012724-01	3012724-01
NA	Machine Compartment Cover	3012931-01	N/A	3012931-01	N/A	N/A

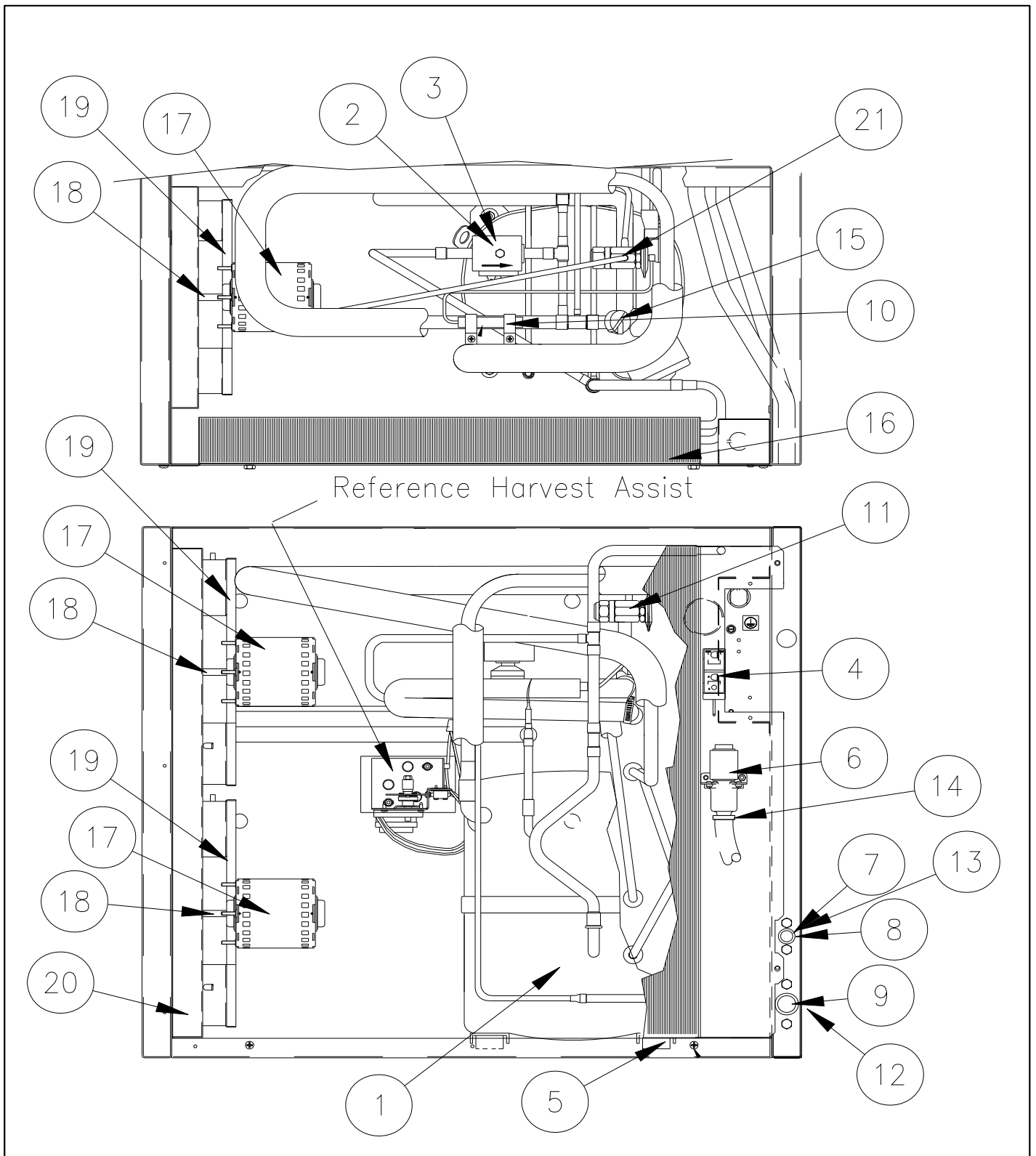


# ICE Series Service Parts

# Front Interior

Item No.	Description	Model Number				
		ICE0805	ICE0806	ICE1005	ICE1006	ICE1007
1	Left Hand Frame Panel	2021524-02	2021524-02	2021524-02	2021524-02	2021524-02
2	Right Hand Frame Panel	2021527-01	2021527-01	2021527-01	2021527-01	2021527-01
3	Evaporator-Full Cube	2051125-81	2051125-81	2051125-81	2051125-81	2051125-81
3	Evaporator-Half Cube	2051125-82	2051125-82	2051125-82	2051125-82	2051125-82
4	Evaporator Splash Curtain	9051154-12	9051154-12	9051154-12	9051154-12	9051154-12
5	Water Distribution Tube	2041338-01	2041338-01	2041338-01	2041338-01	2041338-01
6	Thumb Screw	9031122-01	9031122-01	9031122-01	9031122-01	9031122-01
7	Rubber Washer	9031004-19	9031004-19	9031004-19	9031004-19	9031004-19
8	High Pressure Control	9041051-04	9041051-04	9041051-04	9041051-04	9041051-04
9	Clamp	9021010-04	9021010-04	9021010-04	9021010-04	9021010-04
10	Water Pump Tube	9051472-01	9051472-01	9051472-01	9051472-01	9051472-01
11	Water Pump	9161079-03	9161079-03	9161079-03	9161079-03	9161079-03
	Thumbscrew / Pump (2 Req)	9161076-101	9161076-101	9161076-101	9161076-101	9161076-101
12	Float	9131111-01	9131111-01	9131111-01	9131111-01	9131111-01
13	Water Float Tube (26")	6021032-01	6021032-01	6021032-01	6021032-01	6021032-01
14	Snap Bushing	9051001-09	9051001-09	9051001-09	9051001-09	9051001-09
15	Water Return Trough	9051537-01	9051537-01	9051537-01	9051537-01	9051537-01
16	Water Return Trough Screw	9031046-24	9031046-24	9031046-24	9031046-24	9031046-24
17	Valve Core	9091086-02	9091086-02	9091086-02	9091086-02	9091086-02
18	Valve Cap	9091086-03	9091086-03	9091086-03	9091086-03	9091086-03
19	Caplug	9131026-02	9131026-02	9131026-02	9131026-02	9131026-02
20	Purge Valve	9041105-02	9041105-02	9041105-02	9041105-02	9041086-02
21	Plastic Nut Insert	9031141-01	9031141-01	9031141-01	9031141-01	9031141-01
22	Evaporator Mounting Screw	9031046-01	9031046-01	9031046-01	9031046-01	9031046-01
	Evaporator Spillway	9051135-05	9051135-05	9051135-05	9051135-05	9051135-05
	Evaporator Side Panel - RH	9051170-03	9051170-03	9051170-03	9051170-03	9051170-03
	Evaporator Side Panel - LH	9051170-04	9051170-04	9051170-04	9051170-04	9051170-04
	Evaporator Water Return	9051135-04	9051135-04	9051135-04	9051135-04	9051135-04

**Please note:** Water Pumps are shipped with the Thumbscrews when ordered as a service replacement part.



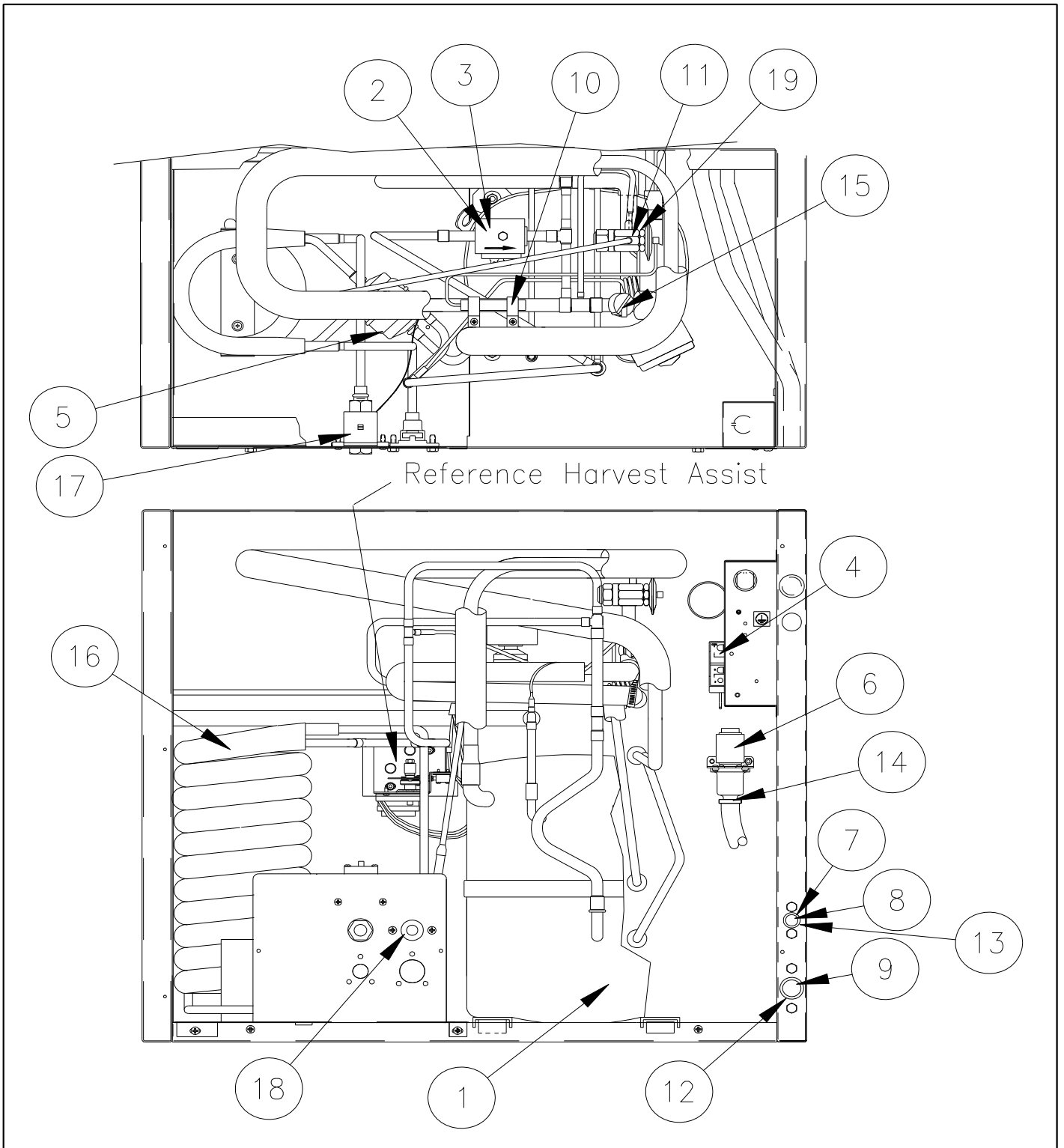


# ICE Series Service Parts

# Air Cooled

Item No.	Description	Model Number				
		ICE0805	ICE0806	ICE1005	ICE1006	ICE1007
1	Compressor	9181107-12	9181106-11	9181090-12	9181107-11	9181107-13
2	Hot Gas Valve Coil	9151123-04	9151123-04	9151123-04	9151123-04	9151123-04
3	Hot Gas Valve Body	9151123-01	9151123-01	9151123-01	9151123-01	9151123-01
4	Low Pressure Control	9041094-01	9041094-01	9041094-01	9041094-01	9041094-01
5	Filter Drier	9151004-04	9151004-04	9151004-04	9151004-04	9151004-04
6	Purge Valve	9041105-02	9041105-02	9041105-02	9041105-02	9041105-02
7	Drop Adapter	9091074-01	9091074-01	9091074-01	9091074-01	9091074-01
8	Water Inlet Fitting	9091083-01	9091083-01	9091083-01	9091083-01	9091083-01
9	Purge Drain Fitting	9091119-01	9091119-01	9091119-01	9091119-01	9091119-01
10	Clamp-TXV Bulb	9021040-01	9021040-01	9021040-01	9021040-01	9021040-01
11	TXV - <b>ALCO</b>	9151134-05	9151134-05	9151134-05	9151134-05	9151134-05
12	Purge Drain Hose (1.5 Ft.)	6021015-06	6021015-06	6021015-06	6021015-06	6021015-06
13	Tube ( 2.17 Ft.)	6021032-01	6021032-01	6021032-01	6021032-01	6021032-01
14	Clamp	9021010-14	9021010-14	9021010-14	9021010-14	9021010-14
15	High Temp Safety	9041087-04	9041087-04	9041087-04	9041087-04	9041087-04
16	Air Condenser	9141103-01	9141103-01	9141103-01	9141103-01	9141103-01
16	Air Condenser (Beg. Mid Ser. H2)	9141122-01	9141122-01	9141122-01	9141122-01	9141122-01
17	Fan Motor	9161089-03	9161089-03	9161089-03	9161089-03	9161089-03
17	Fan Motor (Beg. Mid Ser. H2)	9161078-02		9161078-02		
18	Fan Blade	9131332-02	9131332-02	9131333-01	9131333-01	9131333-01
18	Fan Blade (Beg. Mid Ser. H2)	9131383-01		9131383-01		
19	Fan Mtr Bracket	3012527-01	3012527-01	3012527-01	3012527-01	3012527-01
19	Fan Mtr Brkt (Beg. Mid Ser. H2)	2021574-01		2021574-01		
20	Fan Shroud	3012742-01	3012742-01	3012741-01	3012741-01	3012741-01
21	TXV - <b>SPORLAN</b> Assy*	NLA	NLA	NLA	NLA	NLA
21	TXV - <b>ALCO</b> Assy*	2041665-01S	2041665-01S	2041665-01S	2041665-01S	2041665-01S

\* Includes Distributor and Tubing - Same Effectivity Date as TXV's

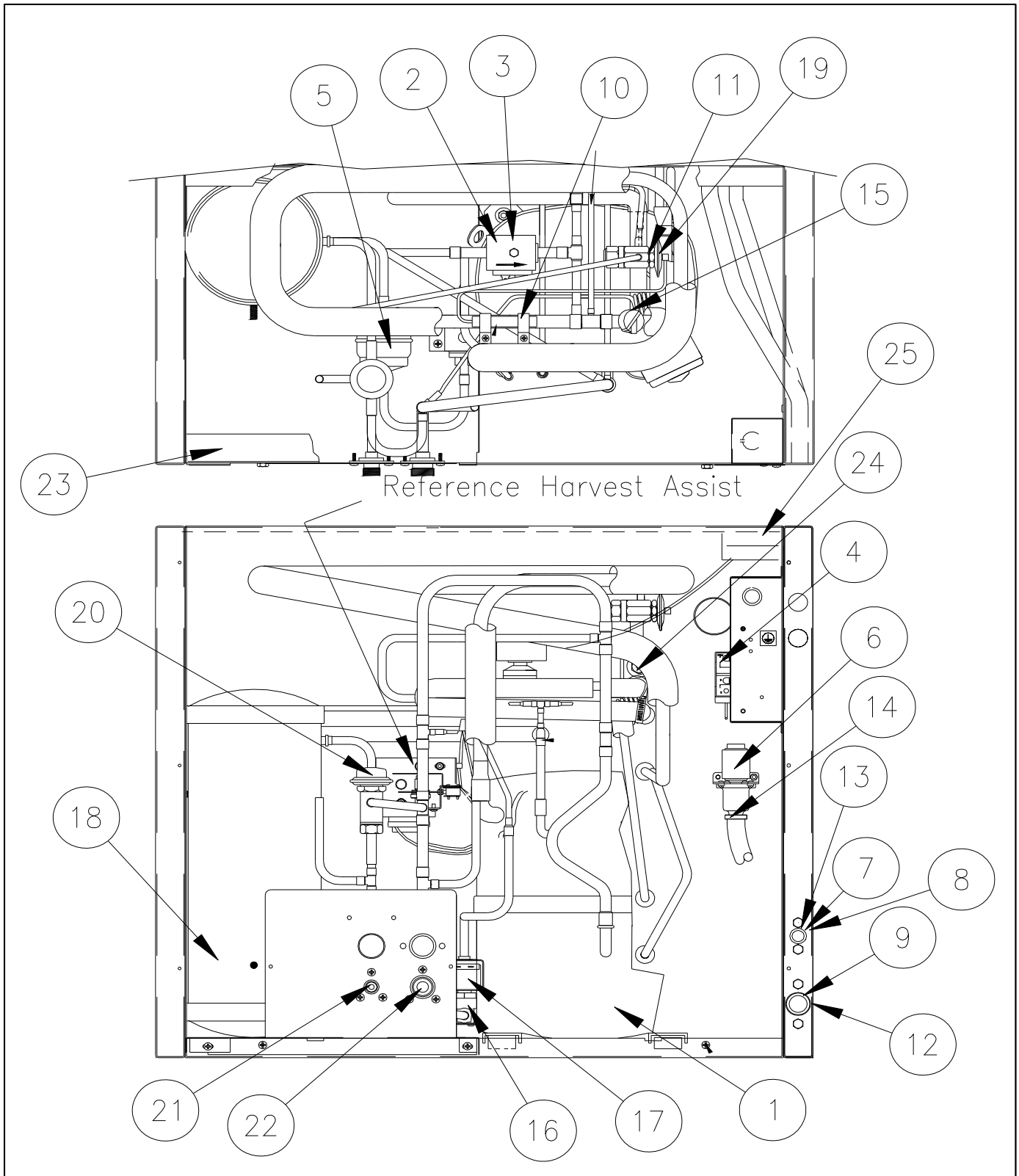


# ICE Series Service Parts

# Water Cooled

Item No.	Description	Model Number				
		ICE0805	ICE0806	ICE1005	ICE1006	ICE1007
1	Compressor	9181107-12	9181106-11	9181090-12	9181107-11	9181007-13
2	Hot Gas Valve Coil	9151123-04	9151123-04	9151123-04	9151123-04	9151123-04
3	Hot Gas Valve Body	9151123-01	9151123-01	9151123-01	9151123-01	9151123-01
4	Low Pressure Control	9041094-01	9041094-01	9041094-01	9041094-01	9041094-01
5	Filter Drier	9151004-04	9151004-04	9151004-04	9151004-04	9151004-04
6	Purge Valve	9041105-02	9041105-02	9041105-02	9041105-02	9041105-02
7	Drop Adapter	9091074-01	9091074-01	9091074-01	9091074-01	9091074-01
8	Water Inlet Fitting	9091083-01	9091083-01	9091083-01	9091083-01	9091083-01
9	Purge Drain Fitting	9091119-01	9091119-01	9091119-01	9091119-01	9091119-01
10	Clamp-TXV Bulb	9021040-01	9021040-01	9021040-01	9021040-01	9021040-01
11	TXV - <b>ALCO</b>	9151134-05	9151134-05	9151134-05	9151134-05	9151134-05
12	Purge Drain Hose	6021015-06	6021015-06	6021015-06	6021015-06	6021015-06
13	Tube ( 2.17 Ft.)	6021032-01	6021032-01	6021032-01	6021032-01	6021032-01
14	Clamp	9021010-14	9021010-14	9021010-14	9021010-14	9021010-14
15	High Temp Safety	9041087-04	9041087-04	9041087-04	9041087-04	9041087-04
16	Water Condenser	9141020-01	9141020-01	9141020-01	9141020-01	9141020-01
16	Water Condenser (Beg. Ser. G2)	9141061-02	9141061-02	9141061-02	9141061-02	9141061-02
17	Water Valve	9041059-01	9041059-01	9041059-01	9041059-01	9041059-01
18	Drop Adapter 1/2"	9091063-02	9091063-02	9091063-02	9091063-02	9091063-02
19	TXV - <b>SPORLAN</b> Assy*	NLA	NLA	NLA	NLA	NLA
19	TXV - <b>ALCO</b> Assy*	2041665-01S	2041665-01S	2041665-01S	2041665-01S	2041665-01S

\* Includes Distributor and Tubing - Same Effectivity Date as TXV's



# ICE Series Service Parts

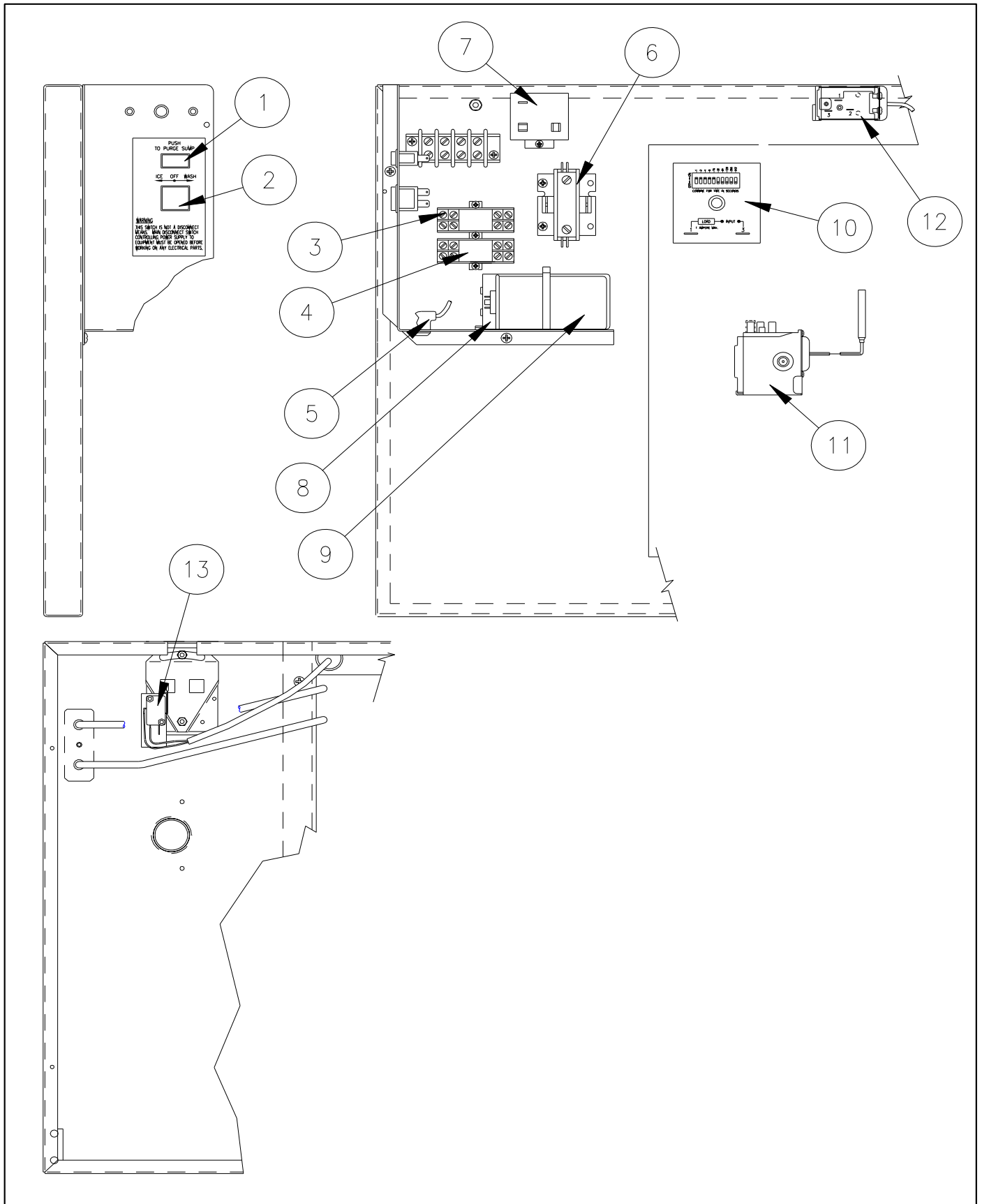
# Remote

Item No.	Description	Model Number				
		ICE0805	ICE0806	ICE1005	ICE1006	ICE1007
1	Compressor	9181107-12	9181107-11	9181090-12	9181090-11	9181107-13
2	Hot Gas Valve Coil	9151123-04	9151123-04	9151123-04	9151123-04	9151123-04
3	Hot Gas Valve Body	9151123-01	9151123-01	9151123-01	9151123-01	9151123-01
4	Low Pressure Control	9041094-01	9041094-01	9041094-01	9041094-01	9041094-01
5	Filter Drier	9151004-04	9151004-04	9151004-04	9151004-04	9151004-04
6	Purge Valve	9041105-02	9041105-02	9041105-02	9041105-02	9041105-02
7	Drop Adapter	9091074-01	9091074-01	9091074-01	9091074-01	9091074-01
8	Water Inlet Fitting	9091083-01	9091083-01	9091083-01	9091083-01	9091083-01
9	Purge Drain Fitting	9091119-01	9091119-01	9091119-01	9091119-01	9091119-01
10	Clamp-TXV Bulb	9021040-01	9021040-01	9021040-01	9021040-01	9021040-01
11	TXV - <b>SPORLAN</b>	<b>NLA</b>	<b>NLA</b>	<b>NLA</b>	<b>NLA</b>	<b>NLA</b>
11	TXV - <b>ALCO</b> (Beg. Mid Ser. H2)	9151134-05	9151134-05	9151134-05	9151134-05	9151134-05
12	Purge Drain Hose	6021015-06	6021015-06	6021015-06	6021015-06	6021015-06
13	Tube ( 2.17 Ft.)	6021032-01	6021032-01	6021032-01	6021032-01	6021032-01
14	Clamp	9021010-14	9021010-14	9021010-14	9021010-14	9021010-14
15	High Temp Safety	9041087-04	9041087-04	9041087-04	9041087-04	9041087-04
15	High Temp Safety (Beg. Rev. 3)	9041087-06	9041087-06	9041087-06	9041087-06	9041087-06
16	Liquid Line Solenoid Body	9151123-02	9151123-02	9151123-02	9151123-02	9151123-02
17	Liquid Line Solenoid Coil	9151123-04	9151123-04	9151123-04	9151123-04	9151123-04
18	Receiver	9151060-01	9151060-01	9151060-01	9151060-01	9151060-01
19	TXV - <b>ALCO</b> Assy*	2041665-01S	2041665-01S	2041665-01S	2041665-01S	2041665-01S
20	Mixing Valve (240)	9151027-06	9151027-06	9151027-06	9151027-06	9151027-06
21	Remote Fitting 3/8"	9091001-11	9091001-11	9091001-11	9091001-11	9091001-11
22	Remote Fitting 1/2"	9091001-12	9091001-12	9091001-12	9091001-12	9091001-12
23	Rear Brace	3022724-01	3022724-01	3022724-01	3022724-01	3022724-01
23	Rear Brace (Wall Hugger)	3012515-01	3012515-01	3012515-01	3012515-01	3012515-01
24	High Press Control	9041051-04	9041051-04	9041051-04	9041051-04	9041051-04
24	High Press Control (Beg. Rev. 3)	9041091-01	9041091-01	9041091-01	9041091-01	9041091-01
25	Pump Down Control	9041040-01	9041040-01	9041040-01	9041040-01	9041040-01
25	Pump Down Control (Beg. Rev. 3)	9041092-02	9041092-02	9041092-02	9041092-02	9041092-02
	Check Valve	9151139-01	9151139-01	9151139-01	9151139-01	9151139-01
	Roto-Loc Valve	9091137-01	9091137-01	9091137-01	9091137-01	9091137-01

\* Includes Distributor and Tubing - Same Effectivity Date as TXV's

**PLEASE NOTE: Mixing Valves are not used on Remote Cubers beginning Revision 3.**

**PLEASE NOTE: When using an ICE Revision 3 Remote Cuber on an existing or new ERC Remote Condenser, please use kit 1051138-01 at installation.**



Item No.	Description	Model Number				
		ICE0805	ICE0806	ICE1005	ICE1006	ICE1007
1	Purge Switch	9101139-03	9101139-03	9101139-03	9101139-03	9101139-03
2	ON-OFF-WASH Switch	9101195-01	9101195-01	9101195-01	9101195-01	9101195-01
3	Relay Socket	9101083-01	9101083-01	9101083-01	9101083-01	9101083-01
4	Relay	9101084-02	9101084-02	9101084-02	9101084-02	9101084-02
5	Water Pump Cord	9101218-12	9101218-12	9101218-12	9101218-12	9101218-12
6	Contacto	9101002-04	9101002-04	9101002-04	9101002-04	9101079-02
7	Compressor Start Relay	See Below	See Below	See Below	See Below	See Below
8	Start Capacitor	See Below	See Below	See Below	See Below	See Below
9	Run Capacitor	See Below	See Below	See Below	See Below	See Below
10	Timer	9101148-01	9101148-01	9101148-01	9101148-01	9101148-01
11	Low Pressure Timer Initiate	9041094-01	9041094-01	9041094-01	9041094-01	9041094-01
12	Pump Down Control	9041040-01	9041040-01	9041040-01	9041040-01	9041040-01
13	Bin Switch	9101124-02	9101124-02	9101124-02	9101124-02	9101124-02

**Compressor Components**

**Model Number**

<b>ICE806 A &amp; W</b>	9181106-11	Compressor
	9181003-07	Start Capacitor
	9181009-16	Run Capacitor
	9181010-12	Relay

<b>ICE806 R AND ICE 1006 A &amp; W</b>	9181107-11	Compressor
	9181003-07	Start Capacitor
	9181009-16	Run Capacitor
	9181010-12	Relay

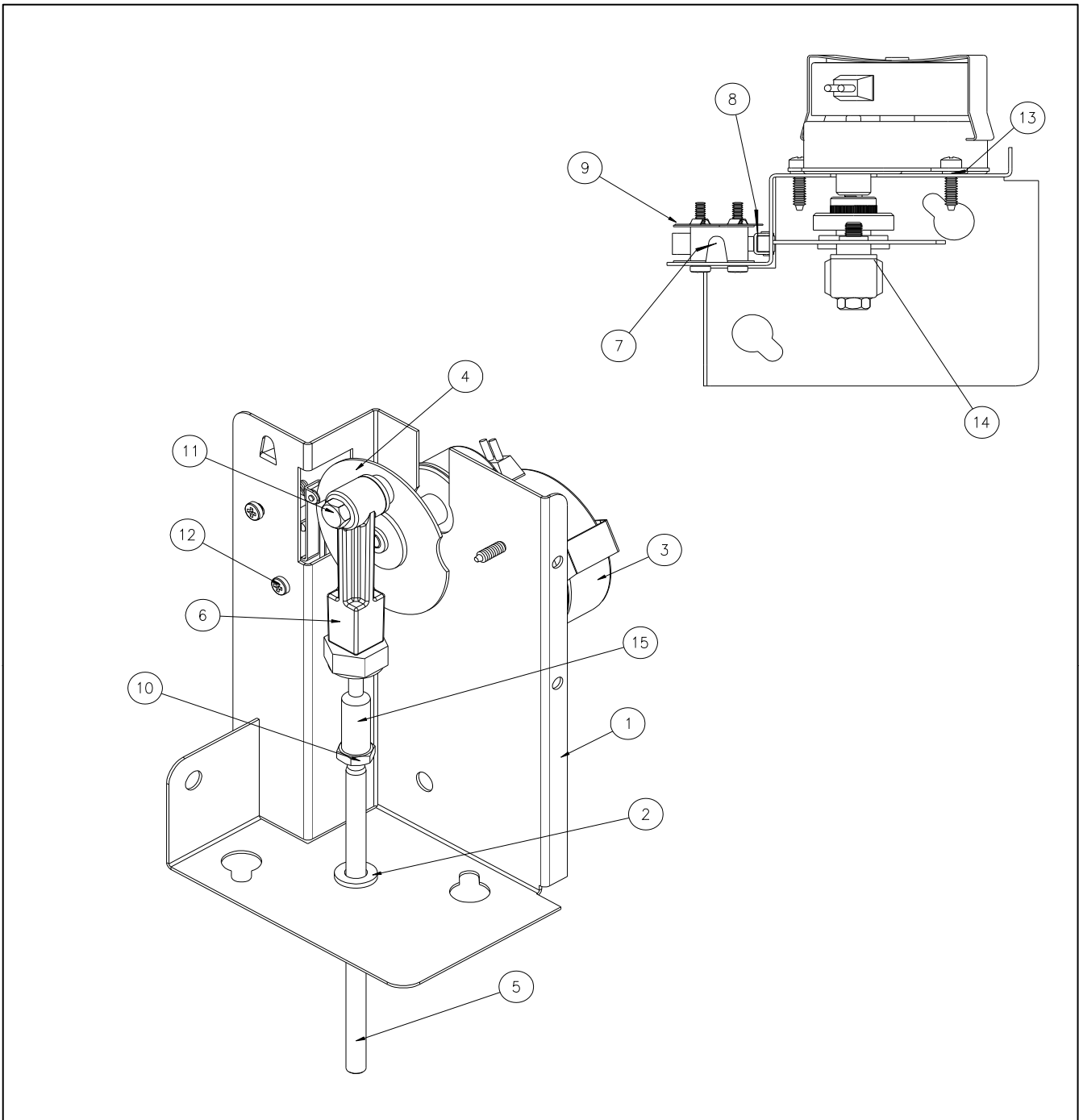
<b>ICE805 A W &amp; R</b>	9181107-12	Compressor
	9181003-32	Start Capacitor
	9181009-16	Run Capacitor
	9181010-04	Relay

<b>ICE1007 A W &amp; R</b>	9181107-13	Compressor
	N/A	Start Capacitor
	N/A	Run Capacitor
	N/A	Relay

<b>ICE1006 R</b>	9181090-11	Compressor
	9181003-19	Start Capacitor
	9181009-12	Run Capacitor
	9181010-10	Relay

<b>ICE1005 A W &amp; R</b>	9181090-12	Compressor
	9181003-07	Start Capacitor
	9181009-12	Run Capacitor
	9181010-12	Relay

**A = Air Cooled**  
**W= Water Cooled**  
**R= Remote**



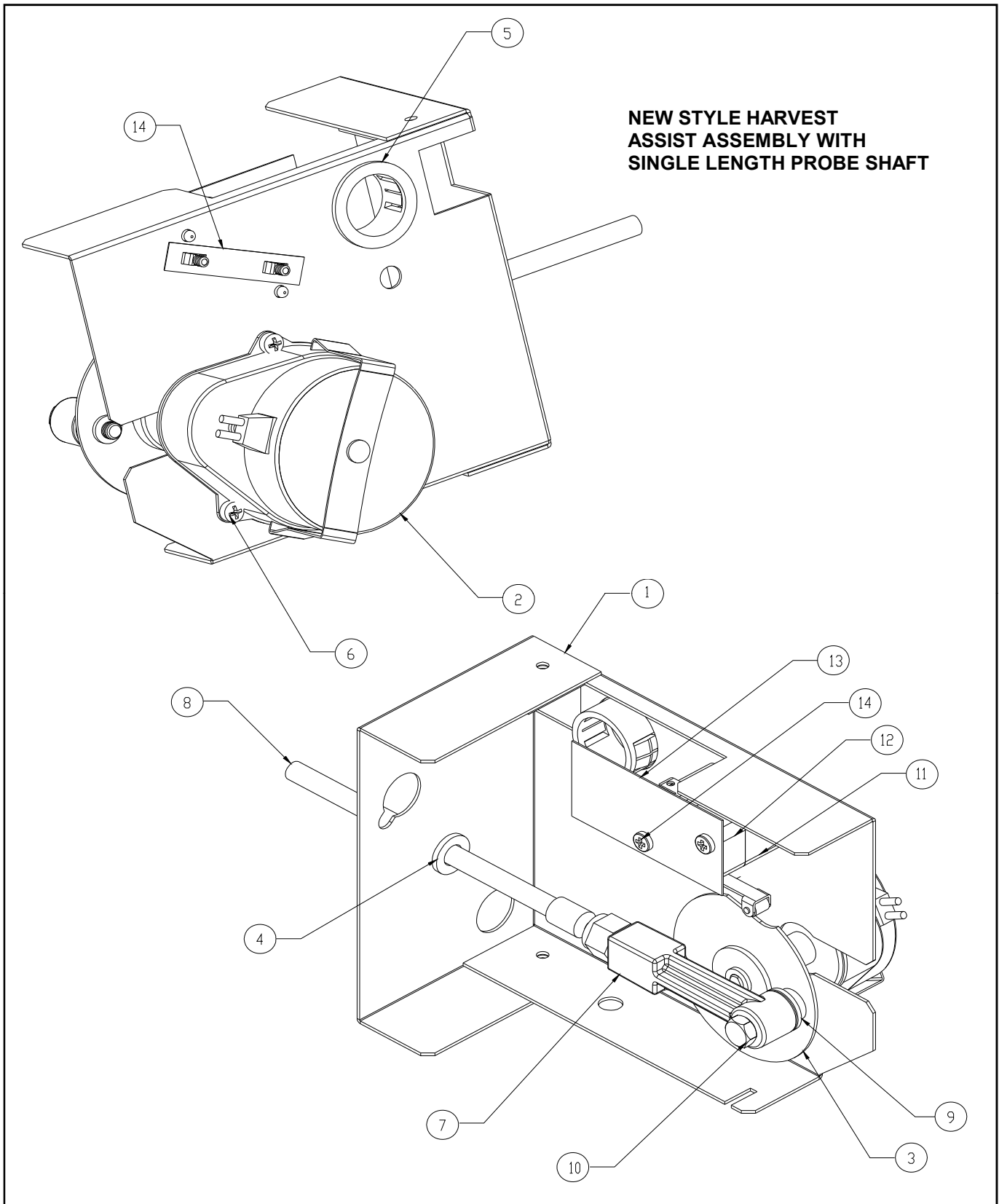


## ICE Series Service Parts

## Old Style Harvest Assist Assembly

Item No.	Description	Model Number				
		ICE0805	ICE0806	ICE1005	ICE1006	ICE1007
1	Probe Motor Bracket	3012890-01	3012890-01	3012890-01	3012890-01	3012890-01
2	Snap Bushing	9051001-13	9051001-13	9051001-13	9051001-13	9051001-13
3	Gear Motor	9161031-01	9161031-01	9161031-01	9161031-01	9161031-01
4	Clutch Assembly 180 Degree	9131190-01	9131190-01	9131190-01	9131190-01	9131190-01
5	One Piece Shaft & Swivel	9021102-01	9021102-01	9021102-01	9021102-01	9021102-01
5	Probe Shaft	9131189-01	9131189-01	9131189-01	9131189-01	9131189-01
6	Connecting Rod	9051057-01	9051057-01	9051057-01	9051057-01	9051057-01
7	Cam Switch	9101160-01	9101160-01	9101160-01	9101160-01	9101160-01
8	Speed Nut Plate	9031120-01	9031120-01	9031120-01	9031120-01	9031120-01
9	Insulation, Switch	3051145-01	3051145-01	3051145-01	3051145-01	3051145-01
10	Nut	9031005-03	9031005-03	9031005-03	9031005-03	9031005-03
11	Shoulder Screw	9031119-01	9031119-01	9031119-01	9031119-01	9031119-01
12	Pan Head Machine Screw	9031008-16	9031008-16	9031008-16	9031008-16	9031008-16
13	Self Tapping Screw	9031019-05	9031019-05	9031019-05	9031019-05	9031019-05
14	Flat Washer	9031003-03	9031003-03	9031003-03	9031003-03	9031003-03
15	Swivel	9021017-02	9021017-02	9021017-02	9021017-02	9021017-02
	Complete Assembly	2061962-02S	2061962-02S	2061962-02S	2061962-02S	2061962-02S

**Please Note:** The 2061962-XX is a direct replacement for the 2061620-XX Harvest Assist Assembly, however the Swivel/Shaft and Nut is **NOT** directly replaced by the new 9021102-01 One Piece Probe Shaft.

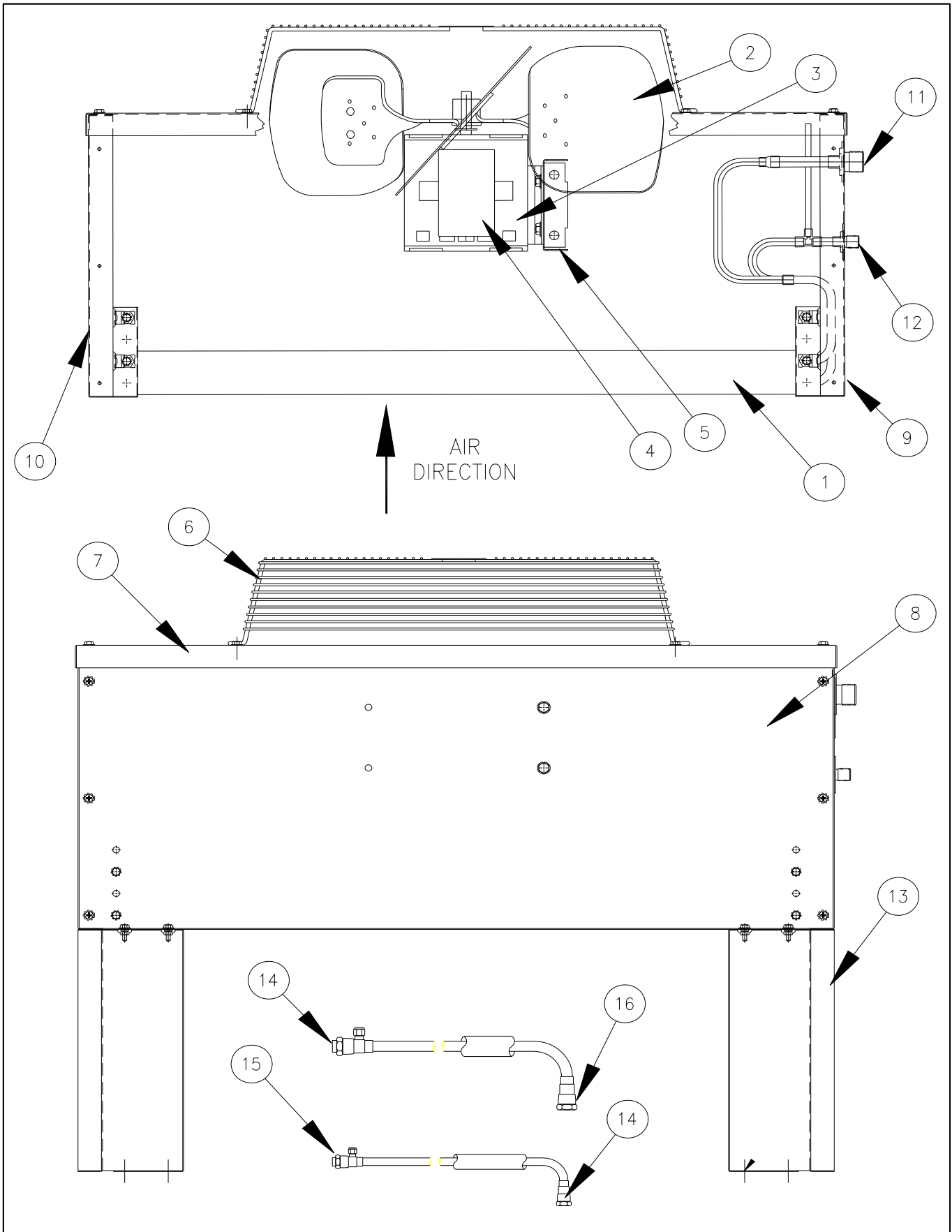


## ICE Series Service Parts

## New Style Harvest Assist Assembly

Item No.	Description	Model Number				
		ICE0805	ICE0806	ICE1005	ICE1006	ICE1007
1	Bracket, Probe Motor	3013170-01	3013170-01	3013170-01	3013170-01	3013170-01
2	Gear Motor	9161031-01	9161031-01	9161031-01	9161031-01	9161031-01
3	Clutch Assembly, 180 Deg	9131190-01	9131190-01	9131190-01	9131190-01	9131190-01
4	Snap Bushing	9051001-13	9051001-13	9051001-13	9051001-13	9051001-13
5	Snap Bushing	9051001-03	9051001-03	9051001-03	9051001-03	9051001-03
6	#6-32 x 1/2 Screw	9031019-08	9031019-08	9031019-08	9031019-08	9031019-08
7	Connecting Rod	9051057-01	9051057-01	9051057-01	9051057-01	9051057-01
8	Probe, Single Length	9021102-01	9021102-01	9021102-01	9021102-01	9021102-01
9	Flat Washer	9031003-03	9031003-03	9031003-03	9031003-03	9031003-03
10	Shoulder Screw	9031119-01	9031119-01	9031119-01	9031119-01	9031119-01
11	Spacer, Cam Switch	9051519-01	9051519-01	9051519-01	9051519-01	9051519-01
12	Cam Switch	9101160-01	9101160-01	9101160-01	9101160-01	9101160-01
13	Insulator	3051145-02	3051145-02	3051145-02	3051145-02	3051145-02
14	Pan Head Screw	9031008-44	9031008-44	9031008-44	9031008-44	9031008-44
15	Speed Nut Plate	9031120-01	9031120-01	9031120-01	9031120-01	9031120-01
	Complete Assembly	2061962-02S	2061962-02S	2061962-02S	2061962-02S	2061962-02S

**Please Note:** The 2061962-XX is a direct replacement for the 2061620-XX Harvest Assist Assembly, however the Swivel/Shaft and Nut is **NOT** directly replaced by the new 9021102-01 One Piece Probe Shaft.

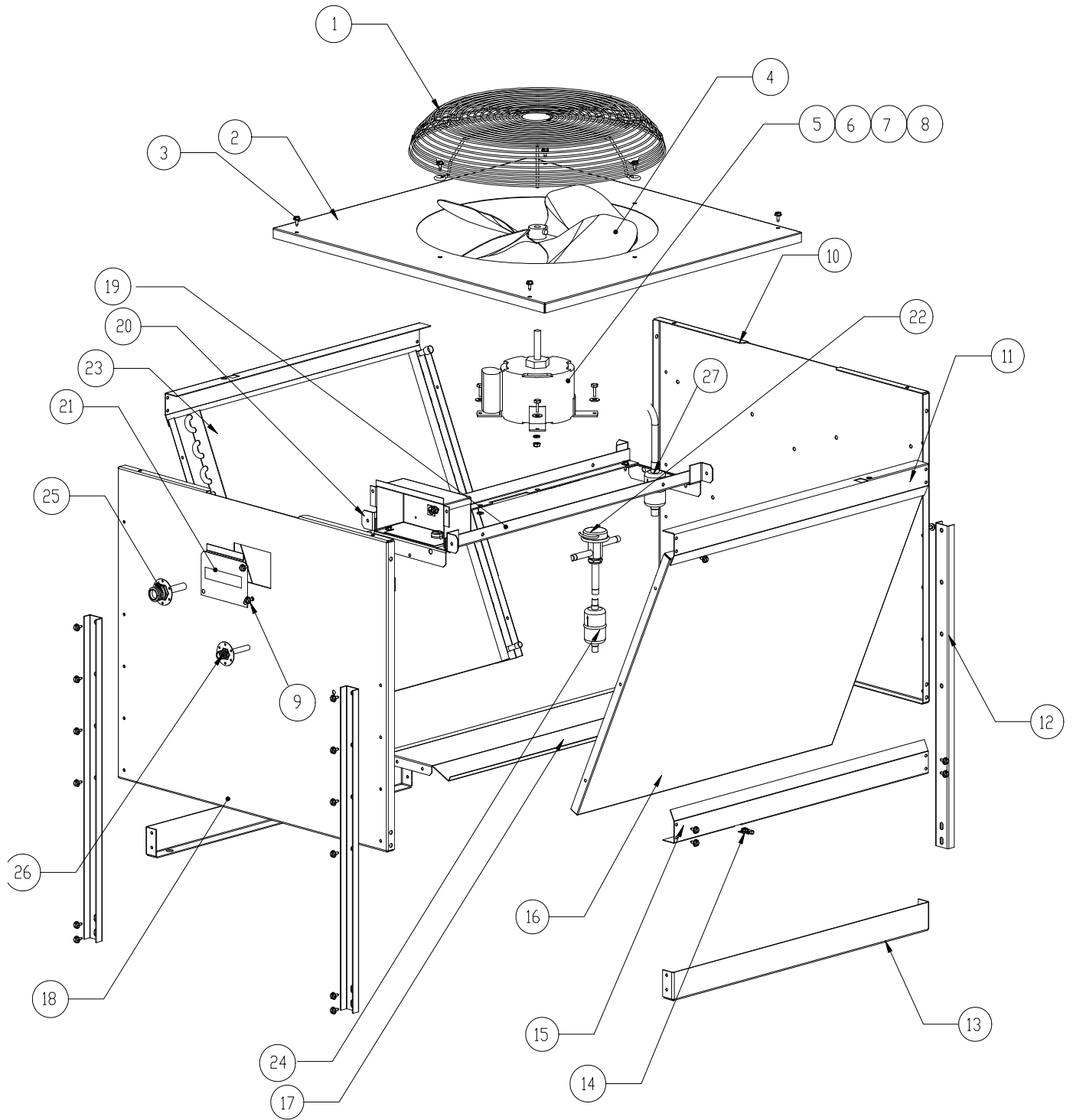


# ICE Series Service Parts

# Remote Condenser

Item No.	Description	Model Number				
		ICE0805 ERC2061	ICE0806 ERC2061	ICE1005 ERC2061	ICE1006 ERC2061	ICE1007 ERC2061
1	Condenser	9141108-01	9141108-01	9141108-01	9141108-01	9141108-01
2	Fan Blade	9131357-01	9131357-01	9131357-01	9131357-01	9131357-01
3	Fan Motor	9161110-02	9161110-02	9161110-02	9161110-02	9161110-02
4	Capacitor	9161110-92	9161110-92	9161110-92	9161110-92	9161110-92
5	Fan Motor Brace	3012802-01	3012802-01	3012802-01	3012802-01	3012802-01
6	Fan Guard	9131356-01	9131356-01	9131356-01	9131356-01	9131356-01
7	Top Panel	3012806-01	3012806-01	3012806-01	3012806-01	3012806-01
8	Side Panel	3012793-01	3012793-01	3012793-01	3012793-01	3012793-01
9	Front Panel	3012804-01	3012804-01	3012804-01	3012804-01	3012804-01
10	Rear Panel	3012805-01	3012805-01	3012805-01	3012805-01	3012805-01
11	Coupling Half-Bulkhead-1/2"	9091001-12	9091001-12	9091001-12	9091001-12	9091001-12
12	Coupling Half-Bulkhead-3/8"	9091001-11	9091001-11	9091001-11	9091001-11	9091001-11
13	Mounting Leg	3012795-01	3012795-01	3012795-01	3012795-01	3012795-01
14	Lineset Fitting with Port 1/2"	9091001-10	9091001-10	9091001-10	9091001-10	9091001-10
15	Lineset Fitting with Port 3/8"	9091001-04	9091001-04	9091001-04	9091001-04	9091001-04
16	Lineset Fitting without Port 1/2"	9091001-08	9091001-08	9091001-08	9091001-08	9091001-08
17	Lineset Fitting without Port 3/8"	9091001-02	9091001-02	9091001-02	9091001-02	9091001-02

Item No.	Description	Model Number				
		ICE0805 ERC2062	ICE0806 ERC2062	ICE1005 ERC2062	ICE1006 ERC2062	ICE1007 ERC2062
1	Condenser	9141110-01	9141110-01	9141110-01	9141110-01	9141110-01
2	Fan Blade	9131357-01	9131357-01	9131357-01	9131357-01	9131357-01
3	Fan Motor	9161110-02	9161110-02	9161110-02	9161110-02	9161110-02
4	Capacitor	9161110-92	9161110-92	9161110-92	9161110-92	9161110-92
5	Fan Motor Brace	3012802-01	3012802-01	3012802-01	3012802-01	3012802-01
6	Fan Guard	9131356-01	9131356-01	9131356-01	9131356-01	9131356-01
7	Top Panel	3012807-01	3012807-01	3012807-01	3012807-01	3012807-01
8	Side Panel	3012794-01	3012794-01	3012794-01	3012794-01	3012794-01
9	Front Panel	3012804-01	3012804-01	3012804-01	3012804-01	3012804-01
10	Rear Panel	3012805-01	3012805-01	3012805-01	3012805-01	3012805-01
11	Coupling Half-Bulkhead-1/2"	9091001-12	9091001-12	9091001-12	9091001-12	9091001-12
12	Coupling Half-Bulkhead-3/8"	9091001-11	9091001-11	9091001-11	9091001-11	9091001-11
13	Mounting Leg	3012795-01	3012795-01	3012795-01	3012795-01	3012795-01
14	Lineset Fitting with Port 1/2"	9091001-10	9091001-10	9091001-10	9091001-10	9091001-10
15	Lineset Fitting with Port 3/8"	9091001-04	9091001-04	9091001-04	9091001-04	9091001-04
16	Lineset Fitting without Port 1/2"	9091001-08	9091001-08	9091001-08	9091001-08	9091001-08
17	Lineset Fitting without Port 3/8"	9091001-02	9091001-02	9091001-02	9091001-02	9091001-02



ICE0500R	ICE0600R	ICE0800R4 ICE1000R4	ICE1400R4 ICE1506R3	ICE1800R4 ICE2100R4
----------	----------	------------------------	------------------------	------------------------

Item	VRC1001	VRC1061	VRC2061	VRC2661	VRC5061	Description
1	9131452-01	9131452-01	9131452-01	9131452-01	9131460-01	Fan Guard
2	3013222-01	3013222-01	3013222-01	3013222-01	3013303-01	Top Panel
3	9031019-04	9031019-04	9031019-04	9031019-04	9031019-04	1/4-20 x 1/2 Screw
4	9131451-01	9131451-01	9131451-01	9131451-01	9131461-01	Fan Blade
5	9161117-02	9161117-01	9161117-01	9161117-01	9161118-01	Fan Motor
6	9031001-02	9031001-02	9031001-02	9031001-02	9031001-02	1/4-20 x 3/4 Cap Screw
7	9031003-01	9031003-01	9031003-01	9031003-01	9031003-01	Flat Washer
8	9031118-02	9031118-02	9031118-02	9031118-02	9031118-02	Flanged Lock Nut
9	9031019-04	9031019-04	9031019-04	9031019-04	9031019-04	1/4-20 x 1/2 Screw
10	3013224-01	3013224-01	3013224-01	3013224-01	3013224-01	Rear Panel
11	3013226-01	3013226-01	3013226-01	3013226-01	3013305-01	Brace
12	3013227-01	3013227-01	3013227-01	3013227-01	3013227-01	Leg
13	3013228-01	3013228-01	3013228-01	3013228-01	3013306-01	Leg Brace
14	N/A	N/A	N/A	N/A	N/A	T-Nut-Shipping Only
15	3013226-01	3013226-01	3013226-01	3013226-01	3013305-01	Brace
16	3013232-01	3013232-01	N/A	N/A	N/A	Cover Panel
17	3013225-01	3013225-01	3013225-01	3013225-01	3013304-01	Center Panel
18	3013223-01	3013223-01	3013223-01	3013223-01	3013223-01	Front Panel
19	3013234-01	3013234-01	3013234-01	3013234-01	3013307-01	Motor Brace
20	3013233-01	3013233-01	3013233-01	3013233-01	3013233-01	Motor Brace Support
21	3013229-01	3013229-01	3013229-01	3013229-01	3013229-01	Junction Box Cover
22	9151142-02	9151142-02	9151142-02	9151142-02	9151142-02	Mixing Valve
23	9141130-01	9141130-01	9141130-01	9141131-01	9141133-01	Condenser
24	9151143-01	9151143-01	9151143-01	9151143-01	9151143-01	Filter
25	9091001-12	9091001-12	9091001-12	9091001-12	9091001-12	1/2 Coupling
26	9091001-11	9091001-11	9091001-11	9091001-11	9091001-11	3/8 Coupling
27	9151143-02	9151143-02	9151143-02	9151143-02	9151143-02	Filter